

Compal Confidential

JAL90 M/B Schematics Document

Intel Penryn Processor with Cantiga + DDRII + ICH9M

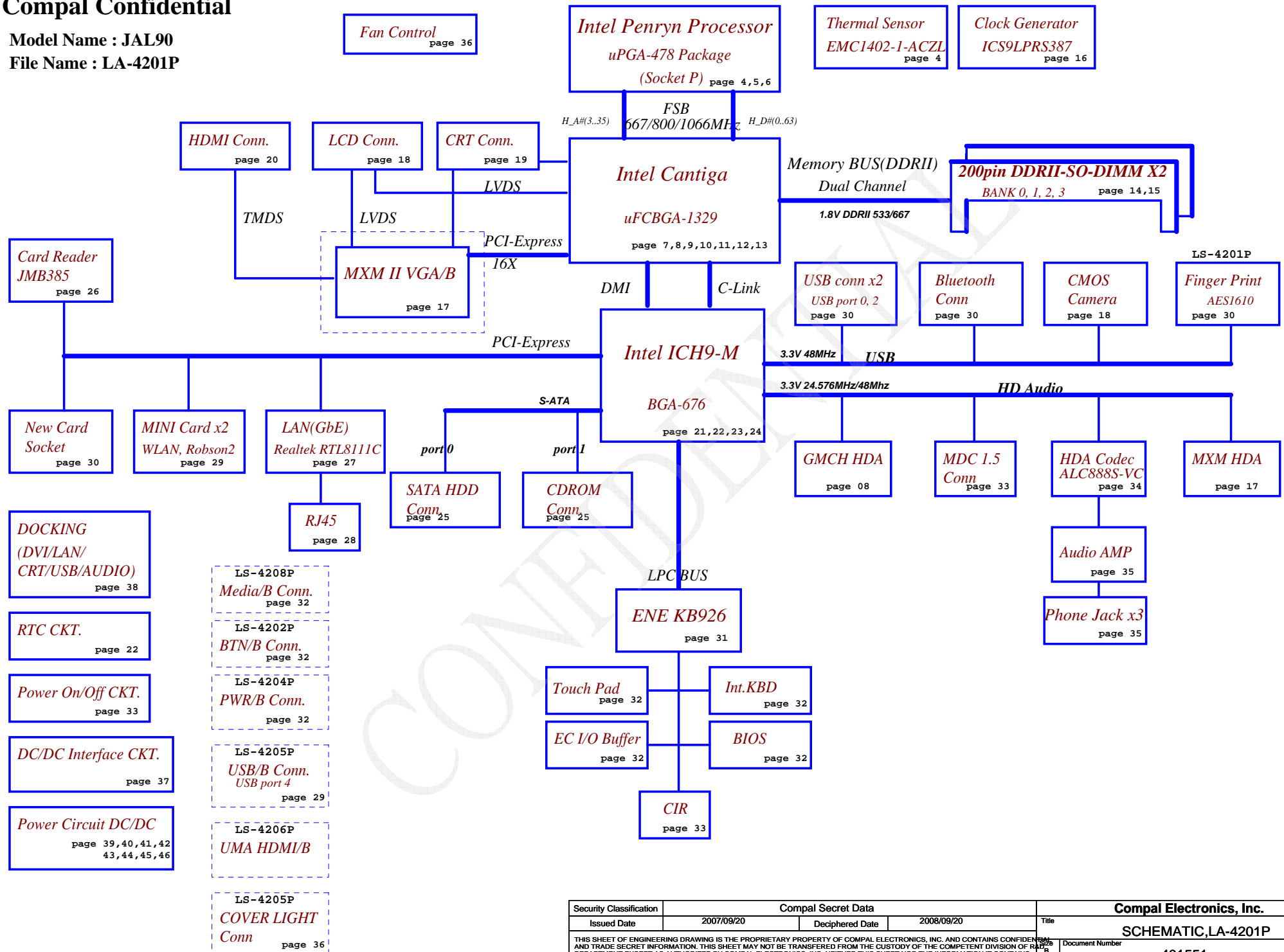
2008-07-04

REV:1.0

Security Classification	Compal Secret Data			Compal Electronics, Inc.		
Issued Date	2007/09/20	Deciphered Date	2008/09/20	Title	SCHEMATIC,LA-4201P	
THIS SHEET OF ENGINEERING DRAWING IS THE PROPRIETARY PROPERTY OF COMPAL ELECTRONICS, INC. AND CONTAINS CONFIDENTIAL AND TRADE SECRET INFORMATION. THIS SHEET MAY NOT BE TRANSFERRED FROM THE CUSTODY OF THE COMPETENT DIVISION OF R&D DEPARTMENT EXCEPT AS AUTHORIZED BY COMPAL ELECTRONICS, INC. NEITHER THIS SHEET NOR THE INFORMATION IT CONTAINS MAY BE USED BY OR DISCLOSED TO ANY THIRD PARTY WITHOUT PRIOR WRITTEN CONSENT OF COMPAL ELECTRONICS, INC.				Document Number	401551	Rev 1
				Date:	Monday, July 21, 2008	Sheet 1 of 50

Compal Confidential

Model Name : JAL90
File Name : LA-4201P



Security Classification		Compal Secret Data		Compal Electronics, Inc.	
Issued Date	2007/09/20	Deciphered Date	2008/09/20	Title	SHEMATIC, LA-4201P
THIS SHEET OF ENGINEERING DRAWING IS THE PROPRIETARY PROPERTY OF COMPAL ELECTRONICS, INC. AND CONTAINS CONFIDENTIAL AND TRADE SECRET INFORMATION. THIS SHEET MAY NOT BE TRANSFERRED FROM THE CUSTODY OF THE COMPETENT DIVISION OF R&D DEPARTMENT EXCEPT AS AUTHORIZED BY COMPAL ELECTRONICS, INC. NEITHER THIS SHEET NOR THE INFORMATION IT CONTAINS MAY BE USED BY OR DISCLOSED TO ANY THIRD PARTY WITHOUT PRIOR WRITTEN CONSENT OF COMPAL ELECTRONICS, INC.				Document Number	401551
Date:	Monday, July 21, 2008	Sheet	2	of	50

Voltage Rails

Power Plane	Description	S1	S3	S5
VIN	Adapter power supply (19V)	N/A	N/A	N/A
B+	AC or battery power rail for power circuit.	N/A	N/A	N/A
+CPU_CORE	Core voltage for CPU	ON	OFF	OFF
+0.9VS	0.9V switched power rail for DDR terminator	ON	OFF	OFF
+1.05VS	1.05V switched power rail	ON	OFF	OFF
+1.25VS	1.25V switched power rail	ON	OFF	OFF
+1.5V	1.5V power rail for HDA	ON	ON	OFF
+1.5VS	1.5V switched power rail	ON	OFF	OFF
+1.8V	1.8V power rail for DDR	ON	ON	OFF
+1.8VS	1.8V switched power rail	ON	OFF	OFF
+2.5VS	2.5V switched power rail	ON	OFF	OFF
+3VALW	3.3V always on power rail	ON	ON	ON*
+3V	3.3V power rail for SB	ON	ON	X
+3V_LAN	3.3V power rail for LAN	ON	ON	X
+3VS	3.3V switched power rail	ON	OFF	OFF
+5VALW	5V always on power rail	ON	ON	ON*
+5VS	5V switched power rail	ON	OFF	OFF
+VSB	VSB always on power rail	ON	ON	ON*
+RTCVCC	RTC power	ON	ON	ON

Note : ON* means that this power plane is ON only with AC power available, otherwise it is OFF.

External PCI Devices

Device	IDSEL#	REQ#/GNT#	Interrupts

EC SM Bus1 address

Device	Address
Smart Battery	0001 011X b
EEPROM(24C16/02)	1010 000X b
GMT G781-1	1001 101X b

EC SM Bus2 address

Device	Address
ADI ADT7421	1001 100X b

ICH9M SM Bus address

Device	Address
Clock Generator (ICS9LPRS387, SLG8SP556V)	1101 001Xb
DDR DIMM0	1001 000Xb
DDR DIMM2	1001 010Xb

STATE	SIGNAL	SLP_S1#	SLP_S3#	SLP_S4#	SLP_S5#	+VALW	+V	+VS	Clock
Full ON		HIGH	HIGH	HIGH	HIGH	ON	ON	ON	ON
S1(Power On Suspend)		LOW	HIGH	HIGH	HIGH	ON	ON	ON	LOW
S3 (Suspend to RAM)		LOW	LOW	HIGH	HIGH	ON	ON	OFF	OFF
S4 (Suspend to Disk)		LOW	LOW	LOW	HIGH	ON	OFF	OFF	OFF
S5 (Soft OFF)		LOW	LOW	LOW	LOW	ON	OFF	OFF	OFF

Board ID / SKU ID Table for AD channel

Vcc	3.3V +/- 5%			
Ra/Rc/Re	100K +/- 5%			
Board ID	Rb / Rd / Rf	VAD_BID min	VAD_BID typ	VAD_BID max
0	0	0 V	0 V	0.155 V
1	8.2K +/- 5%	0.168 V	0.250 V	0.362 V
2	18K +/- 5%	0.375 V	0.503 V	0.621 V
3	33K +/- 5%	0.634 V	0.819 V	0.945 V
4	56K +/- 5%	0.958 V	1.185 V	1.359 V
5	100K +/- 5%	1.372 V	1.650 V	1.838 V
6	200K +/- 5%	1.851 V	2.200 V	2.420 V
7	NC	2.433 V	3.300 V	3.300 V

BOARD ID Table

Board ID	PCB Revision
0	0.1
1	0.2
2	0.3
3	1.0
4	1A
5	
6	
7	

BTO Option Table

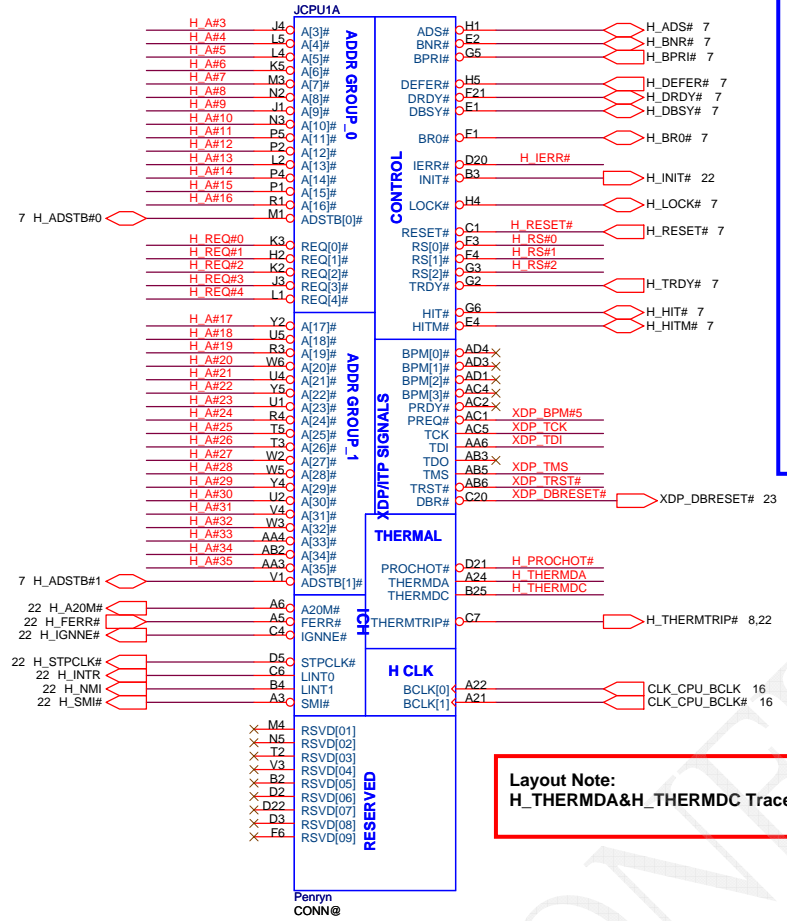
BTO Item	BOM Structure
JAL90	JAL90@
JAW50/KAW00	JAW50@
UMA	GM@
JAL90-UMA	JAL90GM@
JAW50/KAW00	GLPM@
Discrete	PM@
Discrete	888VC@
ALC888VC	888VB@
ALC888VB	8111C@
8111C	8102E@
8102E	268@
ALC268	ABO@
JAL90/JAW50	EM@
KAW00	JAL9050@
JAL90/JAW50	JAL90PM@
KAW00	JAW50PM@
JAL90-DIS	JAW50GL@
JAW50-DIS	
JAW50-UMA	

BOM Configuration Table

Project	BOM Configuration
JAL90-UMA	431551BOL01:JAL90GM@/JAL9050@/JAL90@/GM@/888VC@/8111C@/ABO@
JAL90-Dis	431551BOL02:PM@/JAL90PM@/JAL9050@/JAL90@/GLPM@/888VC@/8111C@/ABO@
JAW50-UMA	431551BOL11:JAW50@/JAW50GL@/JAL9050@/GM@/GLPM@/8111C@/268@/ABO@
JAW50-DIS	431551BOL12:PM@/JAW50@/JAW50PM@/JAL9050@/GLPM@/8111C@/268@/ABO@
KAW00	431551BOL31:JAW50@/JAW50GL@/JAL9050@/GM@/GLPM@/8111C@/268@/EM@

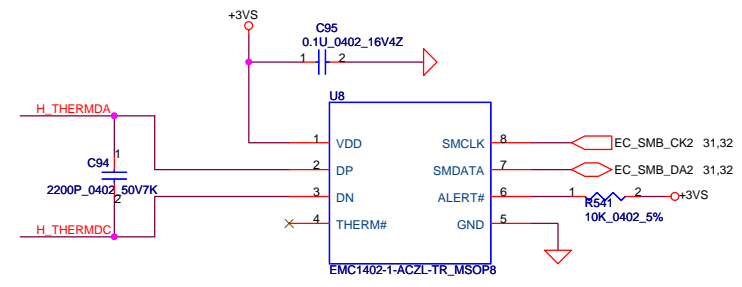
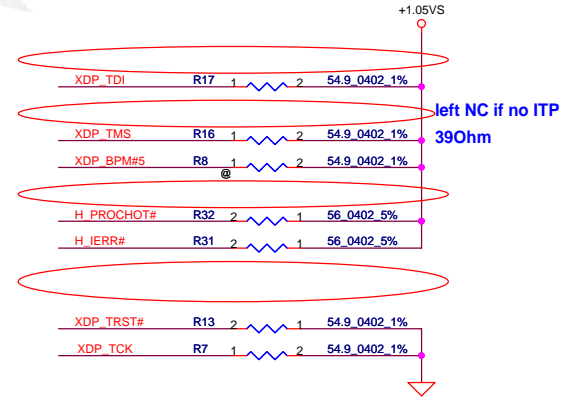
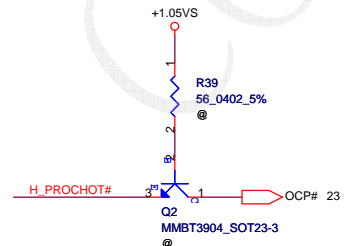
Security Classification	Compal Secret Data		Title	
Issued Date	2007/09/20	Deciphered Date	2008/09/20	Compal Electronics, Inc.
THIS SHEET OF ENGINEERING DRAWING IS THE PROPRIETARY PROPERTY OF COMPAL ELECTRONICS, INC. AND CONTAINS CONFIDENTIAL AND TRADE SECRET INFORMATION. THIS SHEET MAY NOT BE TRANSFERRED FROM THE CUSTODY OF THE COMPETENT DIVISION OF R&D DEPARTMENT EXCEPT AS AUTHORIZED BY COMPAL ELECTRONICS, INC. NEITHER THIS SHEET NOR THE INFORMATION IT CONTAINS MAY BE USED BY OR DISCLOSED TO ANY THIRD PARTY WITHOUT PRIOR WRITTEN CONSENT OF COMPAL ELECTRONICS, INC.				Document Number 401551
Date:	Monday, July 21, 2008	Sheet	3	of 50

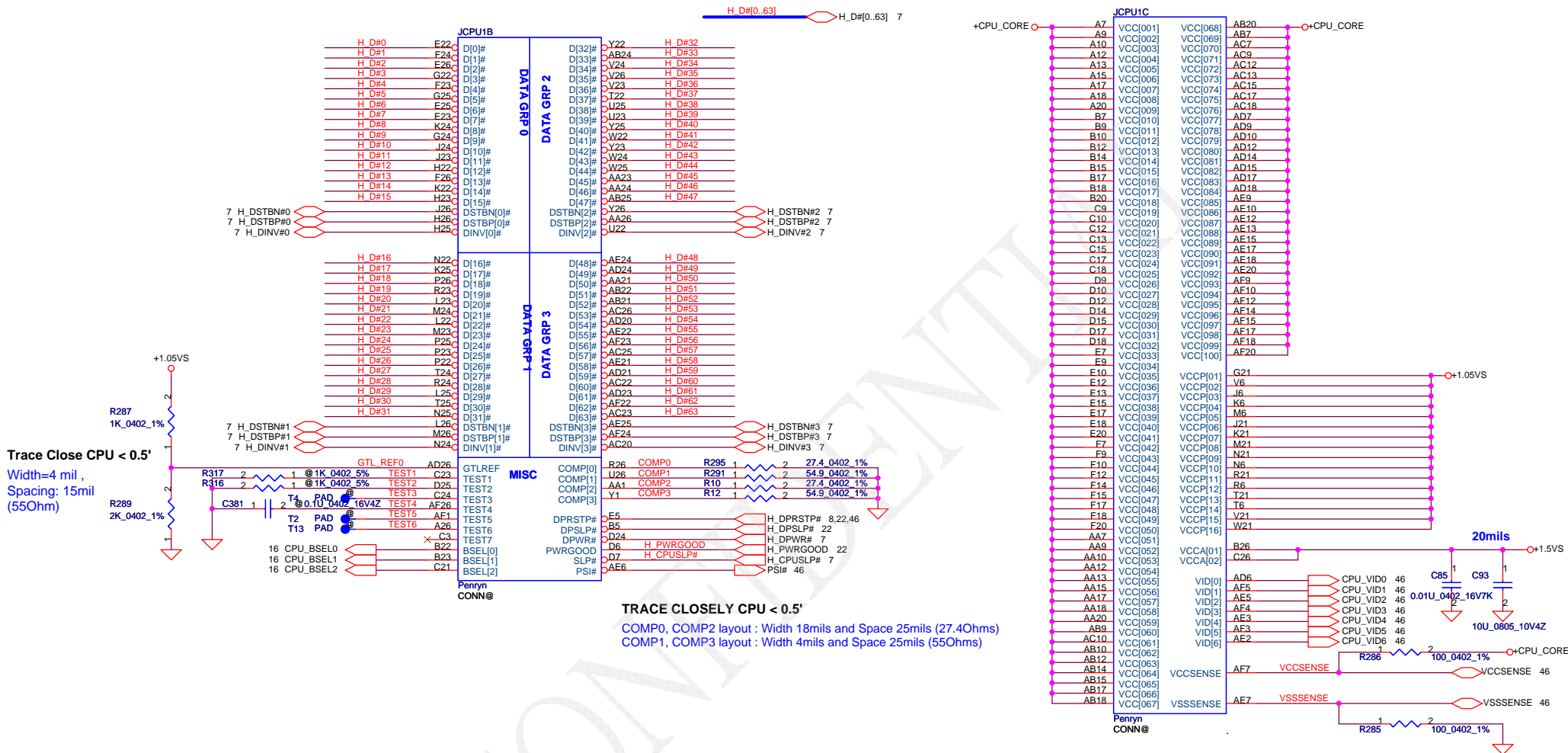
- 7 H_A#[3..35] H_A#[3..35]
- 7 H_REQ#[0..4] H_REQ#[0..4]
- 7 H_RS#[0..2] H_RS#[0..2]



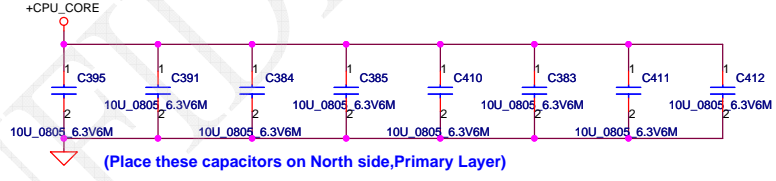
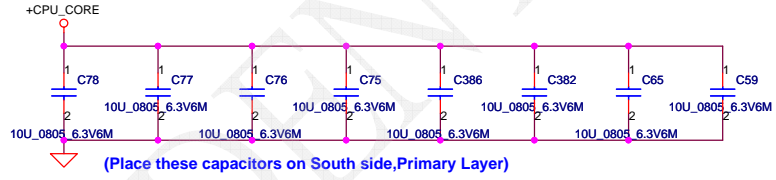
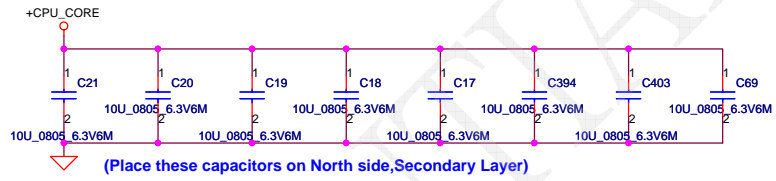
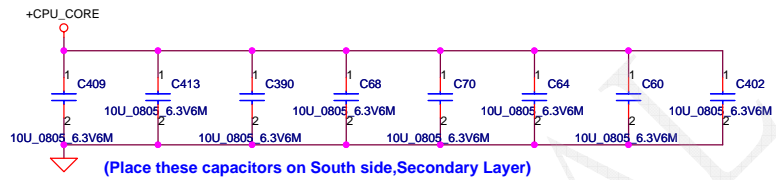
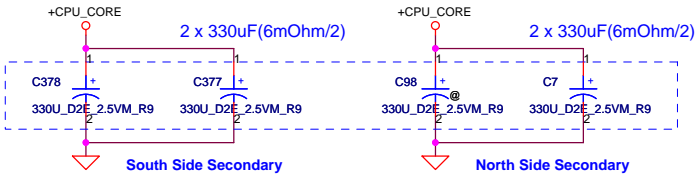
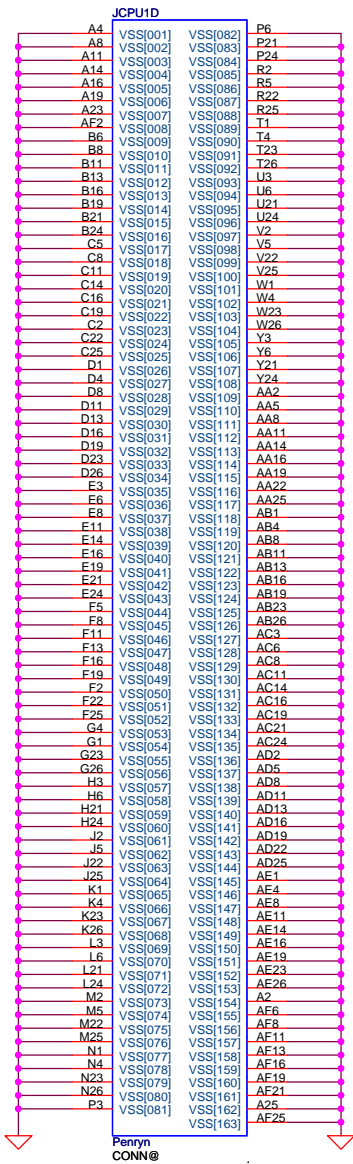
Layout Note:
H_THERMDA&H_THERMDC Trace / Space = 10 / 10 mil

BSEL2	BSEL1	BSEL0	BCLK
0	0	0	266
0	1	0	200
0	1	1	166

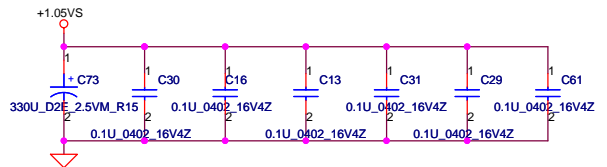


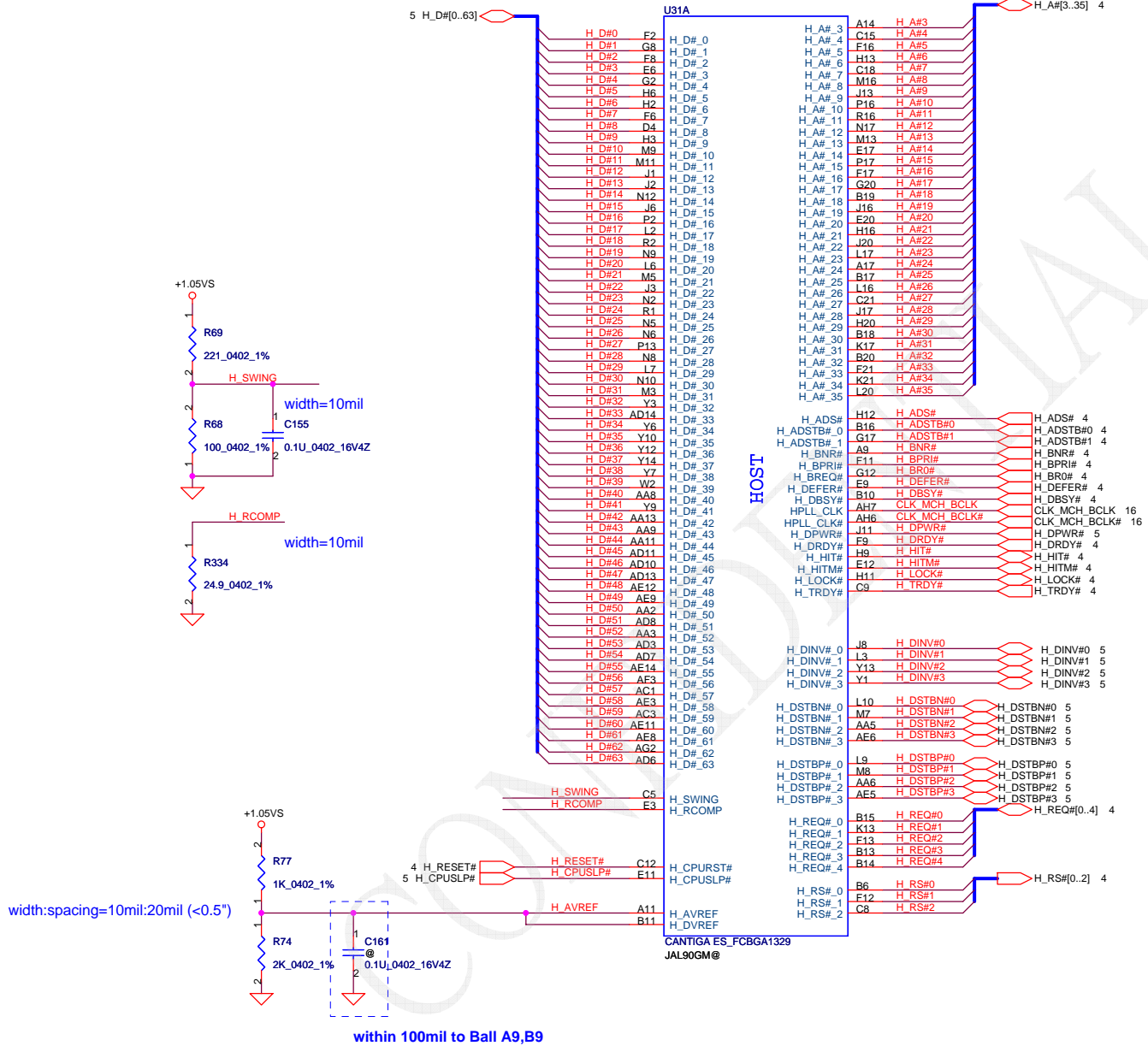


Security Classification		Compal Secret Data		Compal Electronics, Inc.	
Issued Date	2007/09/20	Deciphered Date	2008/09/20	Title	SCHEMATIC_LA-4201P
THIS SHEET OF ENGINEERING DRAWING IS THE PROPRIETARY PROPERTY OF COMPAL ELECTRONICS, INC. AND CONTAINS CONFIDENTIAL AND TRADE SECRET INFORMATION. THIS SHEET MAY NOT BE TRANSFERRED FROM THE CUSTODY OF THE COMPETENT DIVISION OF R&D DEPARTMENT EXCEPT AS AUTHORIZED BY COMPAL ELECTRONICS, INC. NEITHER THIS SHEET NOR THE INFORMATION IT CONTAINS MAY BE USED BY OR DISCLOSED TO ANY THIRD PARTY WITHOUT PRIOR WRITTEN CONSENT OF COMPAL ELECTRONICS, INC.					
Size	B	Document Number	401551	Rev	1
Date:	Monday, July 21, 2008	Sheet	5	of	50

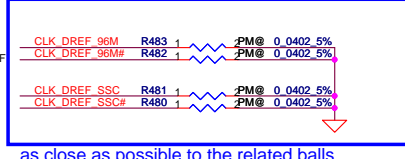
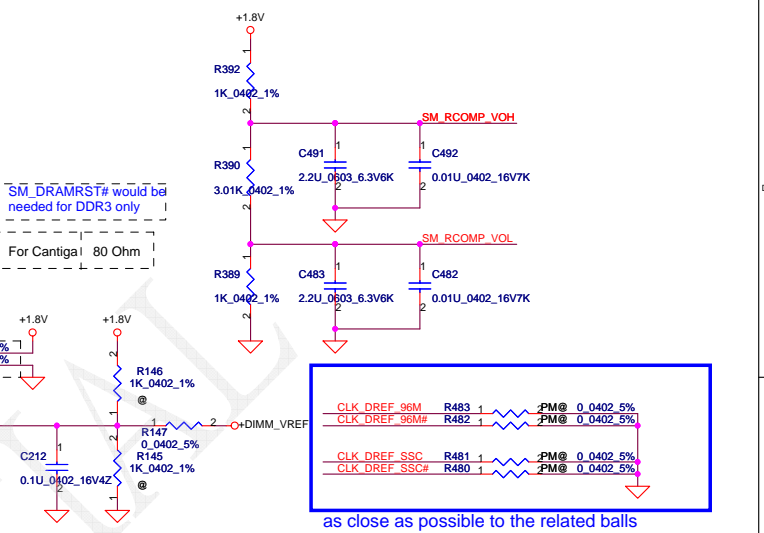
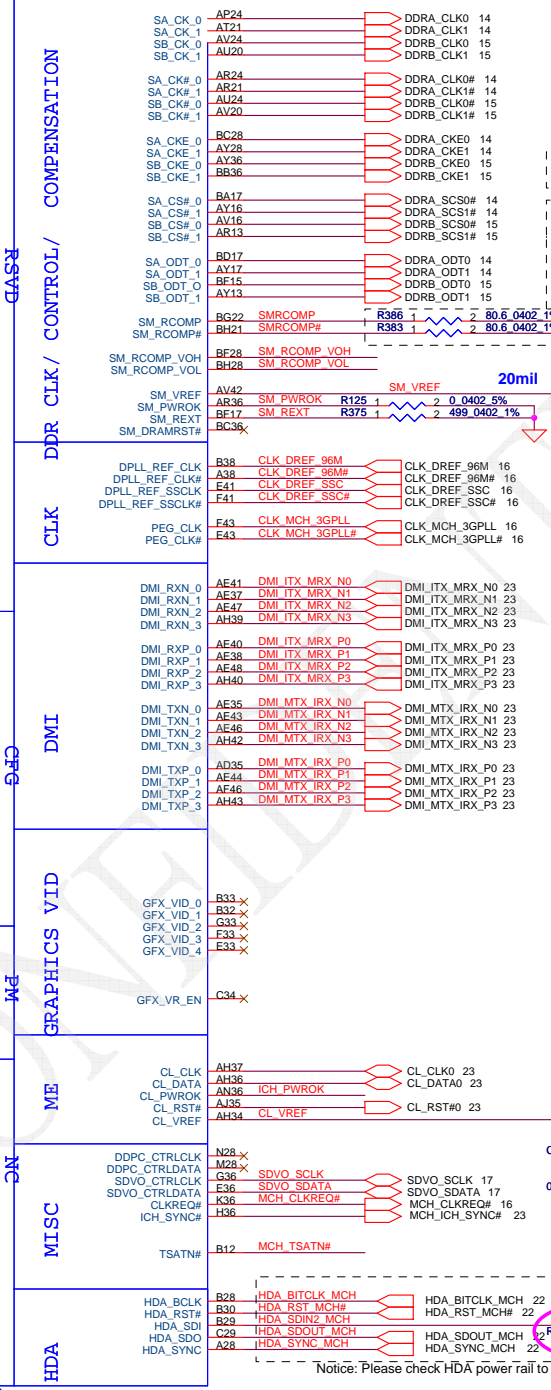
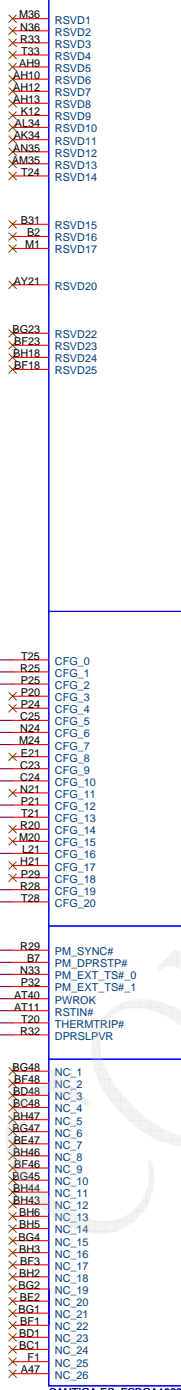


+CPU-CORE Decoupling	C, uF	ESR, mohm	ESL, nH
SPCAP, Polymer	4X330uF	6m ohm/4	1.8nH/6
MLCC 0805 X5R	32X22uF	3m ohm/32	0.6nH/32
	32X10uF	3m ohm/32	0.6nH/32





Security Classification		Compal Secret Data		Compal Electronics, Inc.	
Issued Date	2007/09/20	Deciphered Date	2008/09/20	Title	SCHMATIC_LA-4201P
THIS SHEET OF ENGINEERING DRAWING IS THE PROPRIETARY PROPERTY OF COMPAL ELECTRONICS, INC. AND CONTAINS CONFIDENTIAL AND TRADE SECRET INFORMATION. THIS SHEET MAY NOT BE TRANSFERRED FROM THE CUSTODY OF THE COMPETENT DIVISION OF R&D DEPARTMENT EXCEPT AS AUTHORIZED BY COMPAL ELECTRONICS, INC. NEITHER THIS SHEET NOR THE INFORMATION IT CONTAINS MAY BE USED BY OR DISCLOSED TO ANY THIRD PARTY WITHOUT PRIOR WRITTEN CONSENT OF COMPAL ELECTRONICS, INC.					
Size	B	Document Number	401551	Rev	1
Date:	Monday, July 21, 2008	Sheet	7	of	50

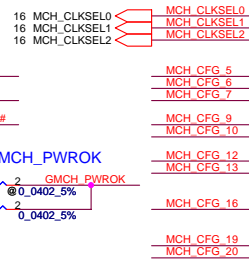


as close as possible to the related balls

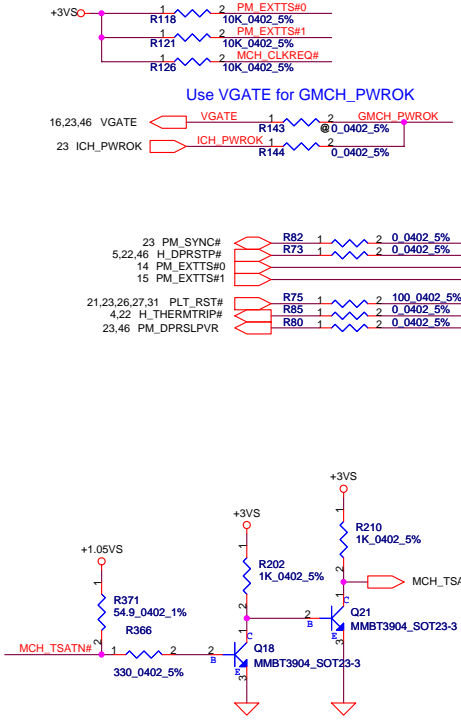
Strap Pin Table

CFG[2:0]	011 = FSB667 010 = FSB800 000 = FSB1067
CFG5	0 = DMI x 2 1 = DMI x 4 * (Default)
CFG6	0 = iTPM Host Interface is enabled 1 = iTPM Host Interface is Disabled * (Default)
CFG9	0 = Lane Reversal Enable 1 = Normal Operation * (Default)
CFG10	0 = PCIe Loopback Enable 1 = Disable * (Default)
CFG[13:12]	00 = Reserved 01 = XOR Mode Enabled 10 = All Z Mode Enabled 11 = Normal Operation * (Default)
CFG16	0 = Dynamic ODT Disabled 1 = Dynamic ODT Enabled * (Default)
CFG19	0 = Normal Operation 1 = DMI Lane Reversal Enable
CFG20 (PCIe/SDVO select)	0 = Only PCIe or SDVO is operational. (Default) 1 = PCIe/SDVO are operating simu.
SDVO_CTRLDATA	0 = No SDVO Card Present * (Default) 1 = SDVO Card Present
L_DDC_DATA	0 = LFP Disable 1 = LFP Card Present; PCIe disable * (Default)
DDPC_CTRLDATA	0 = Digital DisplayPort Disable 1 = Digital DisplayPort Device Present * (Default)

All RSVD balls on GMCH should be left No Connect.

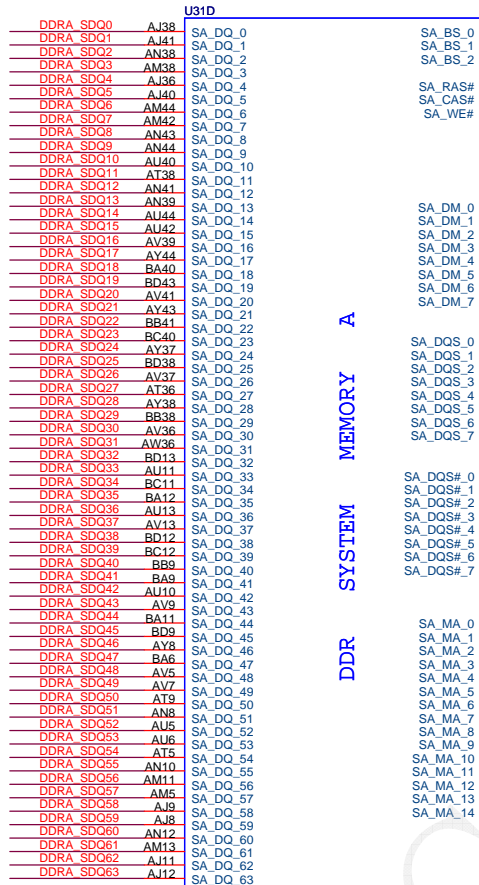
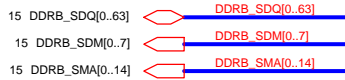
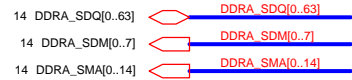


Use VGATE for GMCH_PWROK

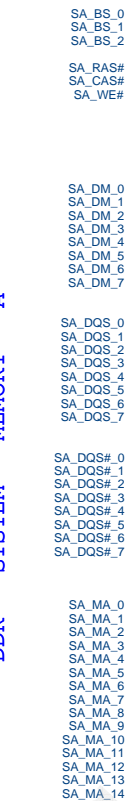


Notice: Please check HDA power rail to select HDA controller.

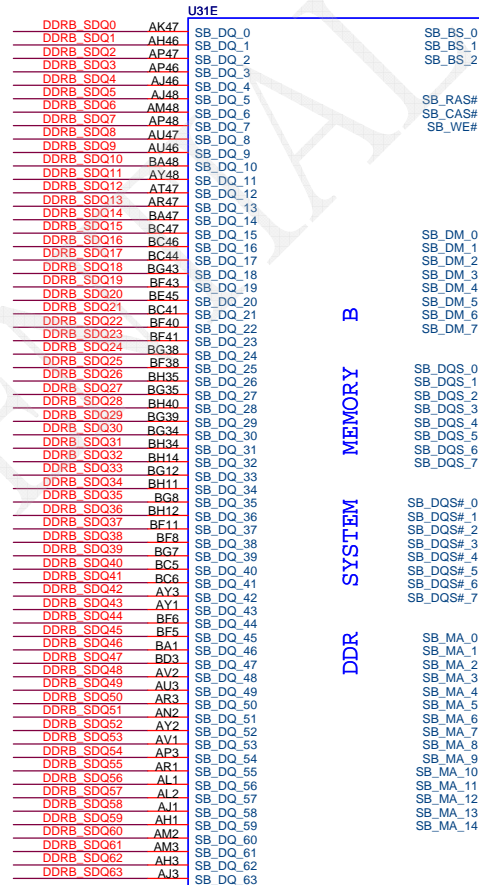
Security Classification	Compal Secret Data		Title	
Issued Date	2007/09/20	Deciphered Date	2008/09/20	Compal Electronics, Inc.
THIS SHEET OF ENGINEERING DRAWING IS THE PROPRIETARY PROPERTY OF COMPAL ELECTRONICS, INC. AND CONTAINS CONFIDENTIAL AND TRADE SECRET INFORMATION. THIS SHEET MAY BE REFERRED FROM THE CUSTODY OF THE COMPETENT DIVISION OF R&D DEPARTMENT EXCEPT AS AUTHORIZED BY COMPAL ELECTRONICS, INC. NEITHER THIS SHEET NOR THE INFORMATION IT CONTAINS MAY BE USED BY OR DISCLOSED TO ANY THIRD PARTY WITHOUT PRIOR WRITTEN CONSENT OF COMPAL ELECTRONICS, INC.				Document Number 401551
Date:	Monday, July 21, 2008	Sheet	8	of 50



DDR SYSTEM MEMORY A



CANTIGA ES_FCBGA1329
JAL90GM@

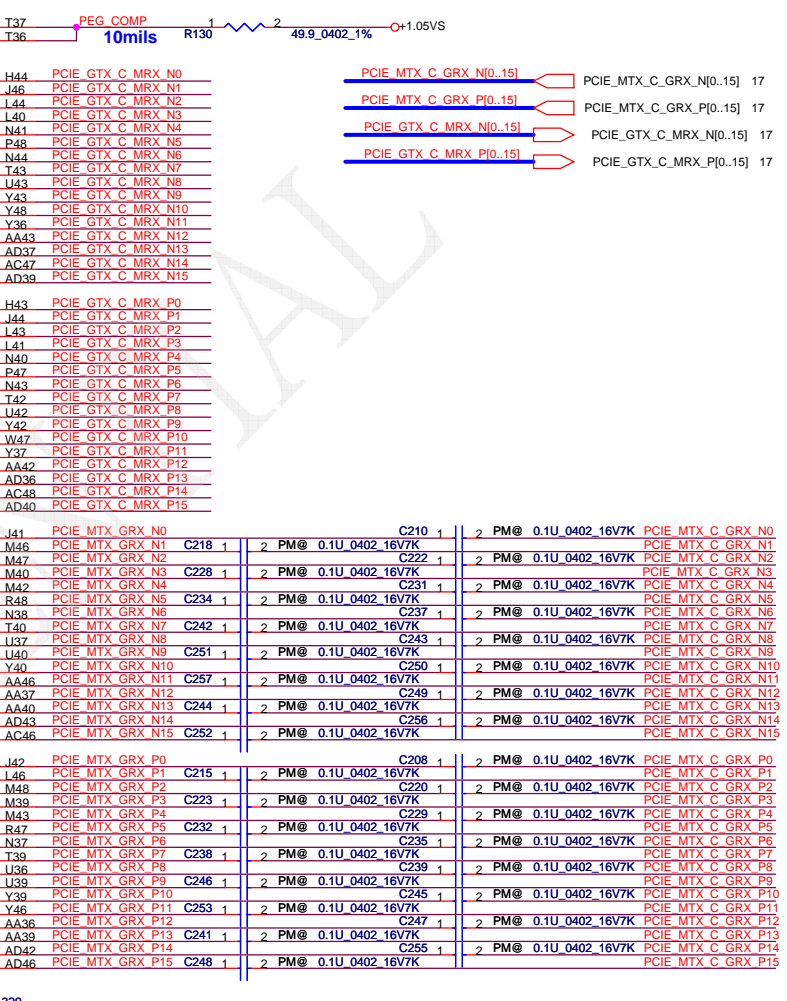
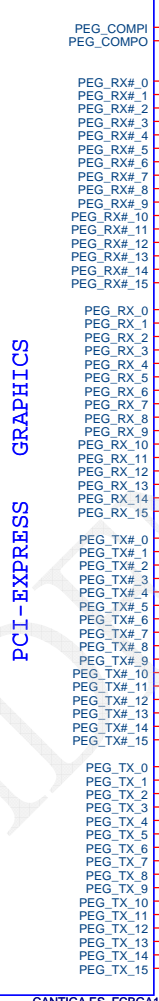
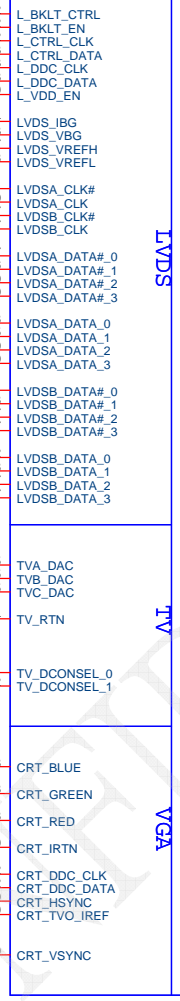
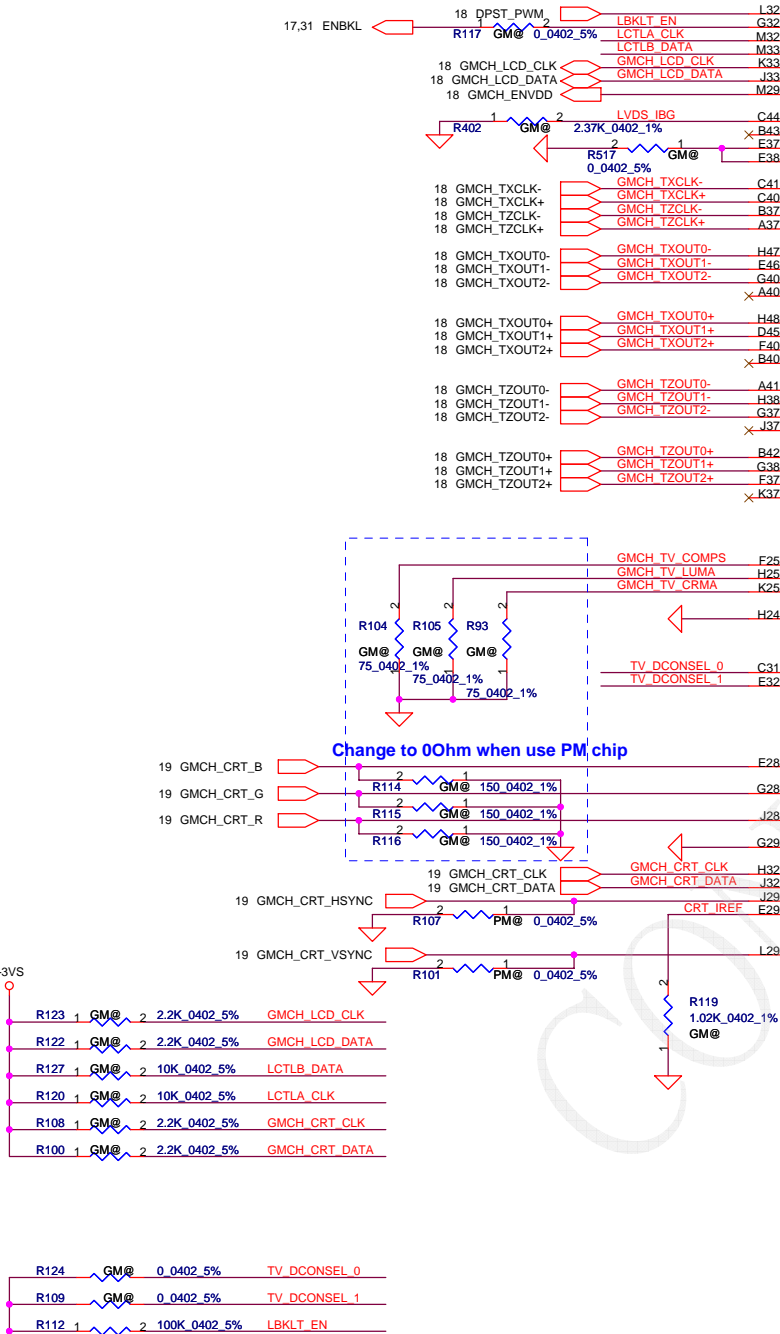


DDR SYSTEM MEMORY B

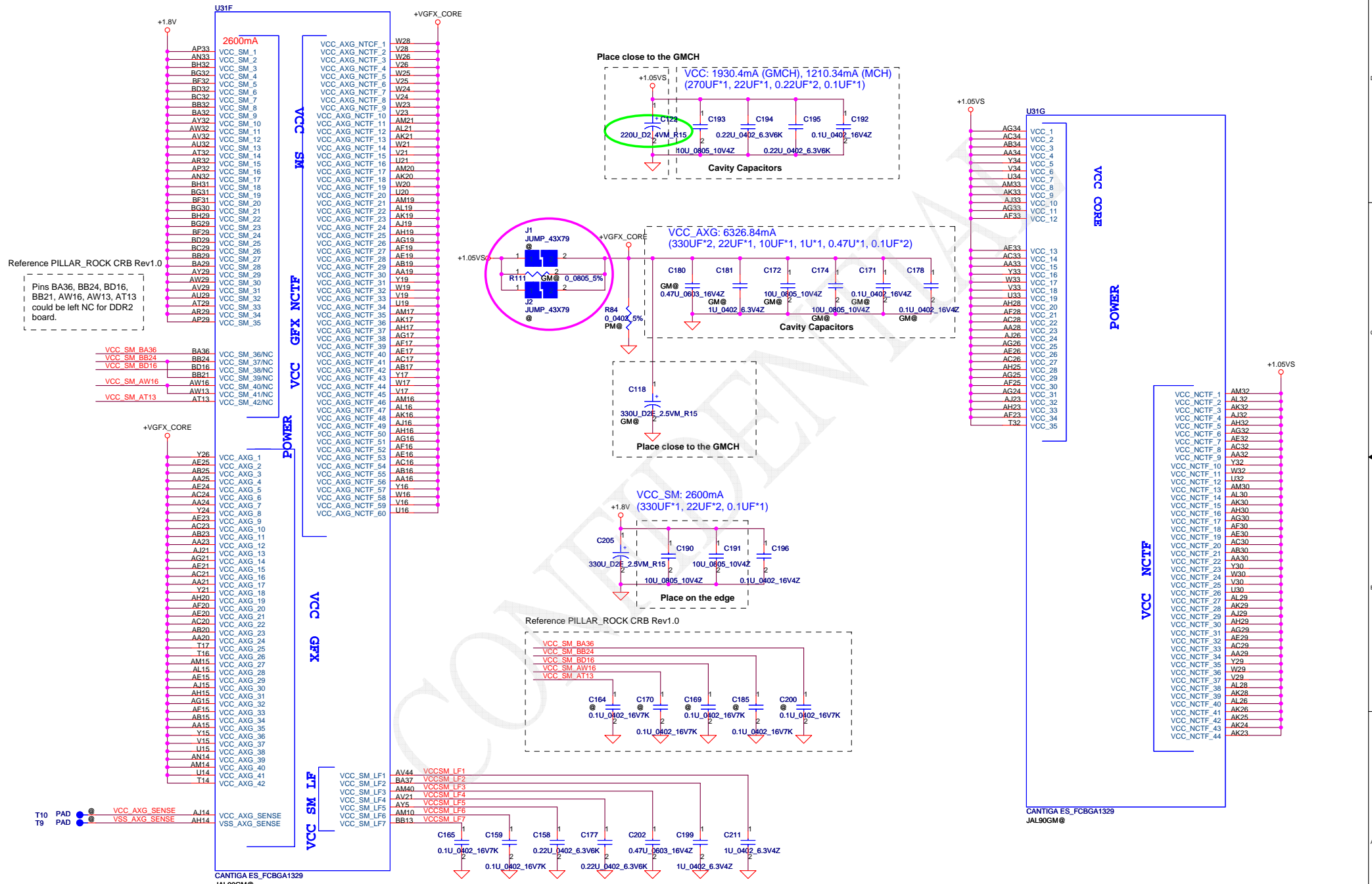
CANTIGA ES_FCBGA1329
JAL90GM@

Security Classification		Compal Secret Data		Compal Electronics, Inc.	
Issued Date	2007/09/20	Deciphered Date	2008/09/20	Title	SCHMATIC_LA-4201P
THIS SHEET OF ENGINEERING DRAWING IS THE PROPRIETARY PROPERTY OF COMPAL ELECTRONICS, INC. AND CONTAINS CONFIDENTIAL AND TRADE SECRET INFORMATION. THIS SHEET MAY NOT BE TRANSFERRED FROM THE CUSTODY OF THE COMPETENT DIVISION OF R&D DEPARTMENT EXCEPT AS AUTHORIZED BY COMPAL ELECTRONICS, INC. NEITHER THIS SHEET NOR THE INFORMATION IT CONTAINS MAY BE USED BY OR DISCLOSED TO ANY THIRD PARTY WITHOUT PRIOR WRITTEN CONSENT OF COMPAL ELECTRONICS, INC.					
Size	Document Number	Date	Monday, July 21, 2008	Sheet	9 of 50
B	401551	Rev	1		

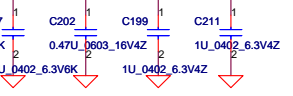
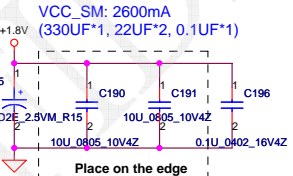
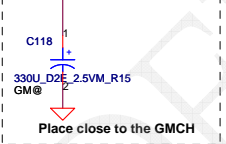
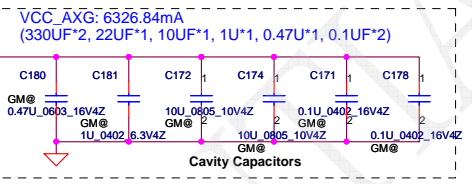
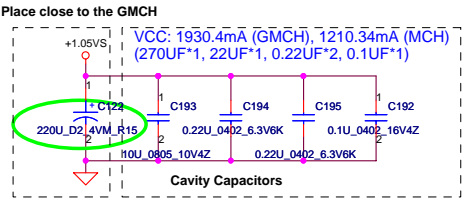
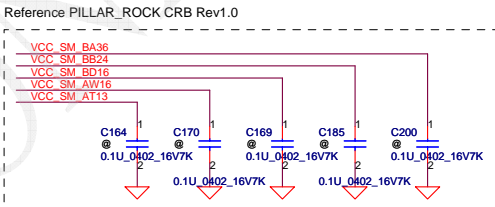
U31C



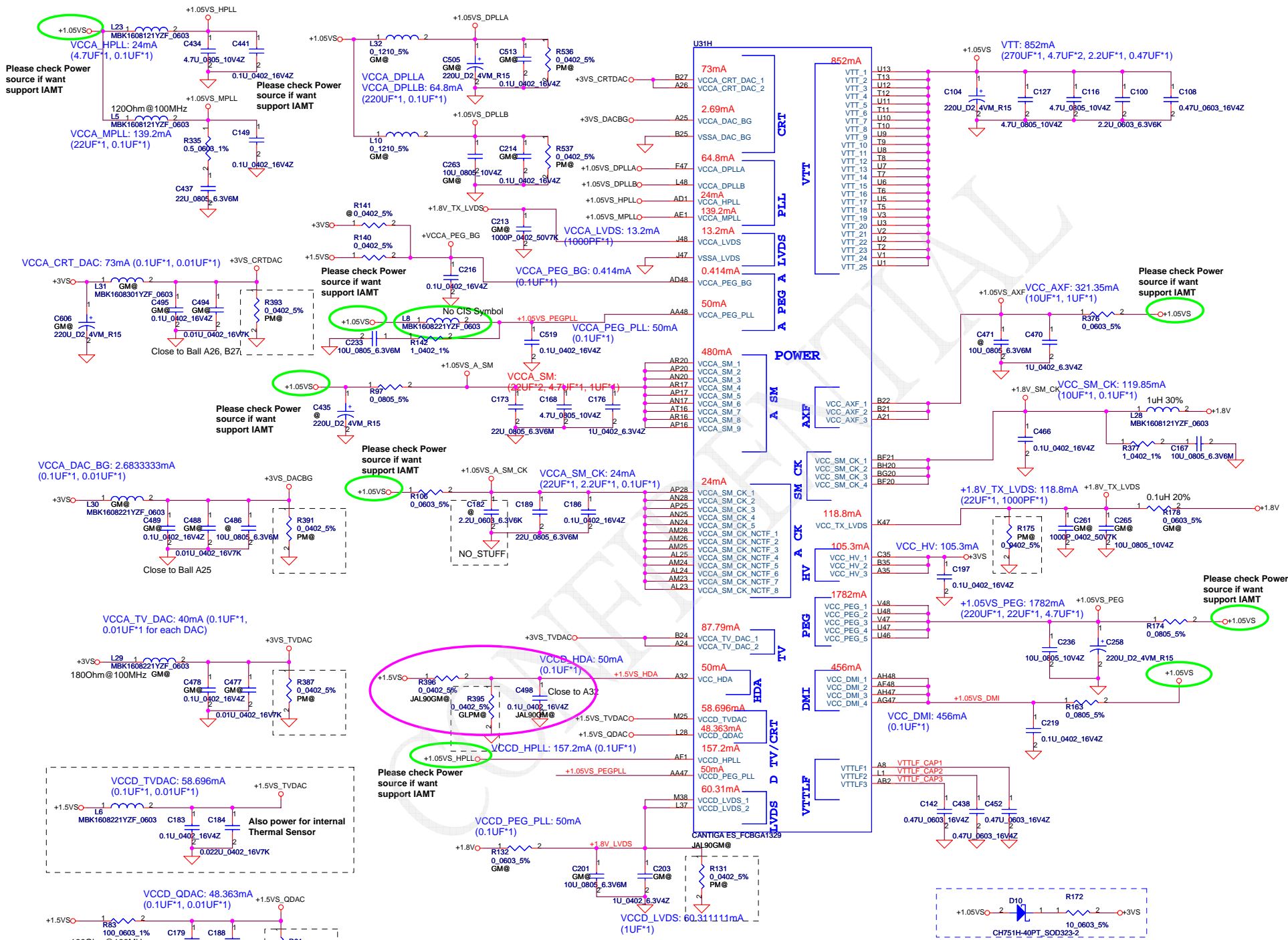
Security Classification		Compal Secret Data		Title	
Issued Date	2007/09/20	Deciphered Date	2008/09/20	Compal Electronics, Inc.	
THIS SHEET OF ENGINEERING DRAWING IS THE PROPRIETARY PROPERTY OF COMPAL ELECTRONICS, INC. AND CONTAINS CONFIDENTIAL AND TRADE SECRET INFORMATION. THIS SHEET MAY NOT BE TRANSFERRED FROM THE CUSTODY OF THE COMPETENT DIVISION OF R&D DEPARTMENT EXCEPT AS AUTHORIZED BY COMPAL ELECTRONICS, INC. NEITHER THIS SHEET NOR THE INFORMATION IT CONTAINS MAY BE USED BY OR DISCLOSED TO ANY THIRD PARTY WITHOUT PRIOR WRITTEN CONSENT OF COMPAL ELECTRONICS, INC.				Document Number	Rev
				401551	1
Date:	Monday, July 21, 2008	Sheet	10	of 50	



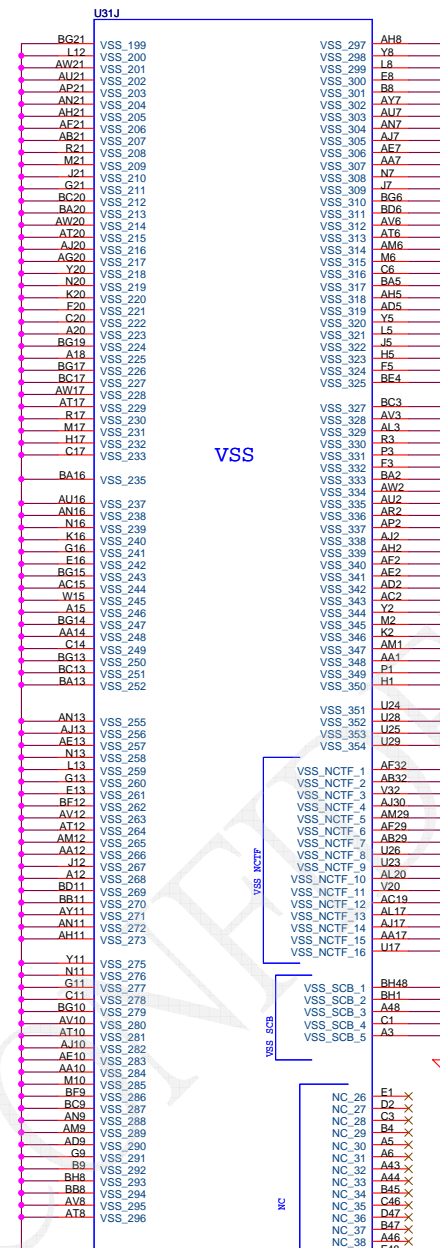
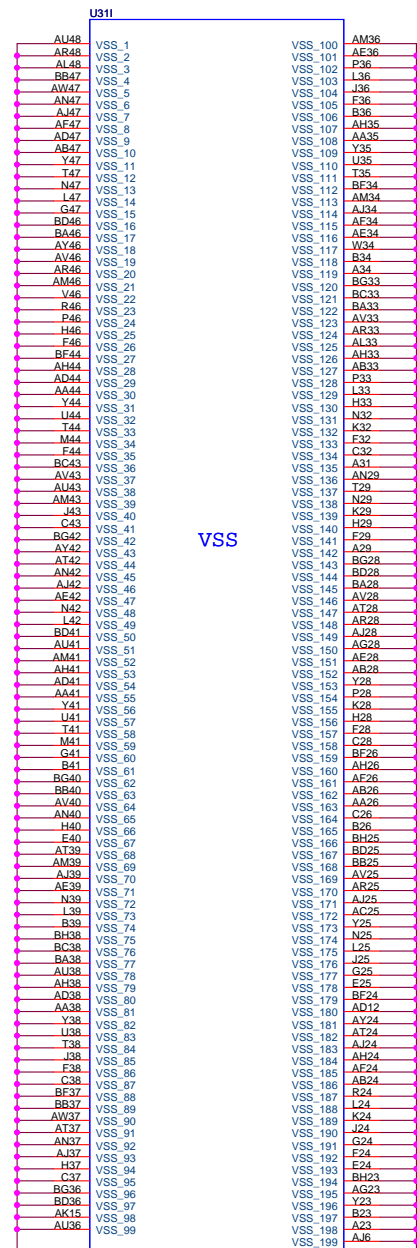
Reference PILLAR_ROCK CRB Rev1.0
Pins BA36, BB24, BD16, BB21, AW16, AW13, AT13 could be left NC for DDR2 board.



Security Classification		Compal Secret Data		Title	
Issued Date	2007/09/20	Deciphered Date	2008/09/20	Compal Electronics, Inc.	
THIS SHEET OF ENGINEERING DRAWING IS THE PROPRIETARY PROPERTY OF COMPAL ELECTRONICS, INC. AND CONTAINS CONFIDENTIAL AND TRADE SECRET INFORMATION. THIS SHEET MAY NOT BE TRANSFERRED FROM THE CUSTODY OF THE COMPETENT DIVISION OF R&D DEPARTMENT EXCEPT AS AUTHORIZED BY COMPAL ELECTRONICS, INC. NEITHER THIS SHEET NOR THE INFORMATION IT CONTAINS MAY BE USED BY OR DISCLOSED TO ANY THIRD PARTY WITHOUT PRIOR WRITTEN CONSENT OF COMPAL ELECTRONICS, INC.				Document Number	Rev
				401551	I
				Date: Monday, July 21, 2008	Sheet 11 of 50



Security Classification		Compal Secret Data		Compal Electronics, Inc.	
Issued Date	2007/09/20	Deciphered Date	2008/09/20	Title	SCHEMATIC,LA-4201P
THIS SHEET OF ENGINEERING DRAWING IS THE PROPRIETARY PROPERTY OF COMPAL ELECTRONICS, INC. AND CONTAINS CONFIDENTIAL AND TRADE SECRET INFORMATION. THIS SHEET MAY NOT BE TRANSFERRED FROM THE CUSTODY OF THE COMPETENT DIVISION OF RA222 DEPARTMENT EXCEPT AS AUTHORIZED BY COMPAL ELECTRONICS, INC. NEITHER THIS SHEET NOR THE INFORMATION IT CONTAINS MAY BE USED BY OR DISCLOSED TO ANY THIRD PARTY WITHOUT PRIOR WRITTEN CONSENT OF COMPAL ELECTRONICS, INC.					
Document Number	401551	Customer		Rev	1
Date	Monday, July 21, 2008	Sheet	12	of	50

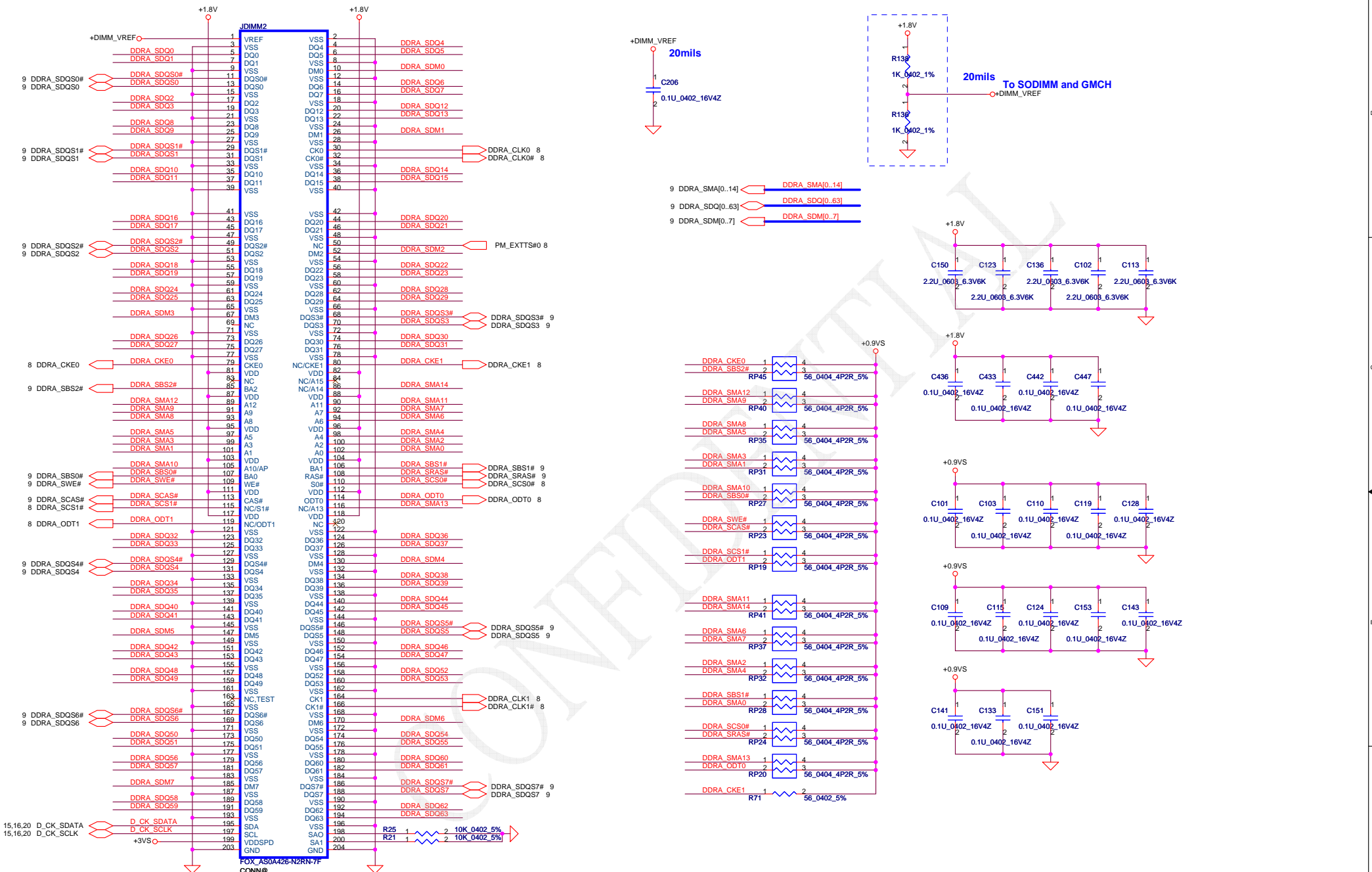


VSS

VSS

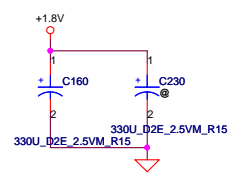
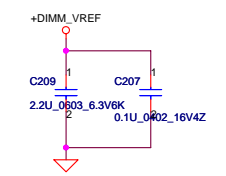
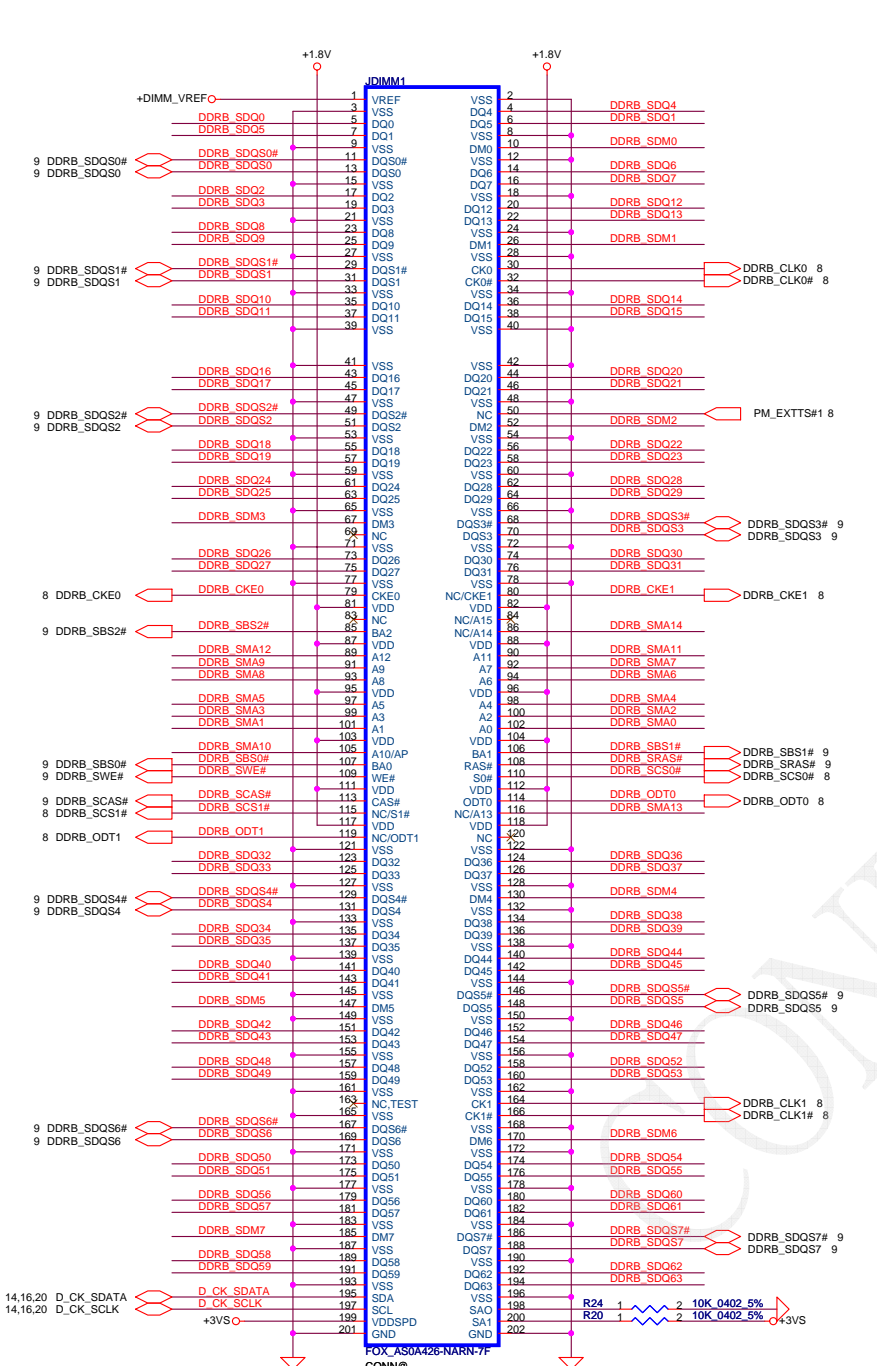
Security Classification	Compal Secret Data		Title
Issued Date	2007/09/20	Deciphered Date	2008/09/20
THIS SHEET OF ENGINEERING DRAWING IS THE PROPRIETARY PROPERTY OF COMPAL ELECTRONICS, INC. AND CONTAINS CONFIDENTIAL AND TRADE SECRET INFORMATION. THIS SHEET MAY NOT BE TRANSFERRED FROM THE CUSTODY OF THE COMPETENT DIVISION OF R&D DEPARTMENT EXCEPT AS AUTHORIZED BY COMPAL ELECTRONICS, INC. NEITHER THIS SHEET NOR THE INFORMATION IT CONTAINS MAY BE USED BY OR DISCLOSED TO ANY THIRD PARTY WITHOUT PRIOR WRITTEN CONSENT OF COMPAL ELECTRONICS, INC.			Document Number 401551
Date:	Monday, July 21, 2008	Sheet	13 of 50

Compal Electronics, Inc.		Title
Schematic		SCHMATIC, LA-4201P
Rev	1	

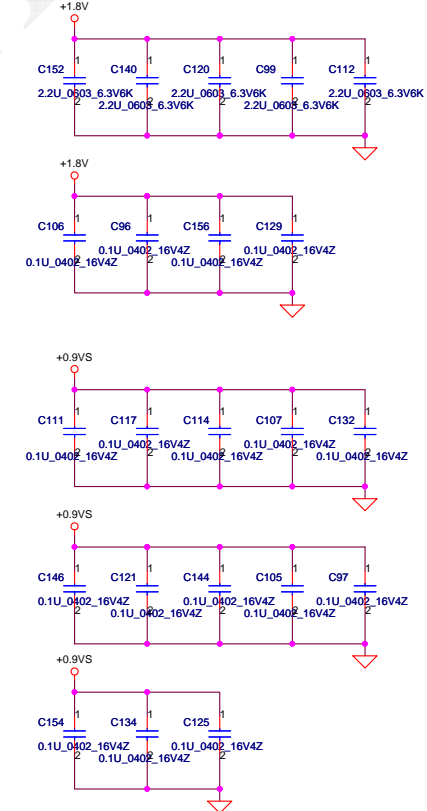
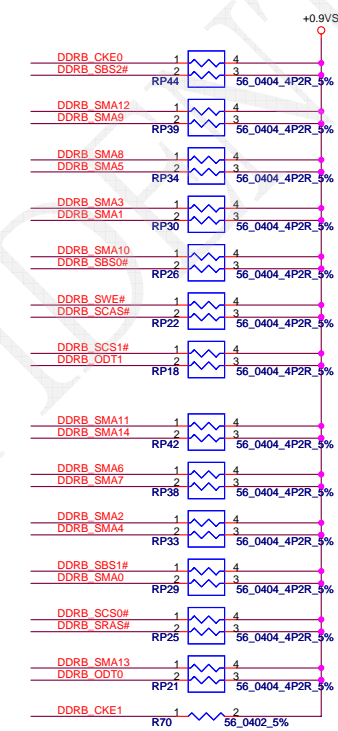


DIMM0 REV H:5.2mm (BOT)

Security Classification		Compal Secret Data		Compal Electronics, Inc.	
Issued Date	2007/09/20	Deciphered Date	2008/09/20	Title	SCHMATIC,LA-4201P
THIS SHEET OF ENGINEERING DRAWING IS THE PROPRIETARY PROPERTY OF COMPAL ELECTRONICS, INC. AND CONTAINS CONFIDENTIAL AND TRADE SECRET INFORMATION. THIS SHEET MAY NOT BE TRANSFERRED FROM THE CUSTODY OF THE COMPETENT DIVISION OF R&D DEPARTMENT EXCEPT AS AUTHORIZED BY COMPAL ELECTRONICS, INC. NEITHER THIS SHEET NOR THE INFORMATION IT CONTAINS MAY BE USED BY OR DISCLOSED TO ANY THIRD PARTY WITHOUT PRIOR WRITTEN CONSENT OF COMPAL ELECTRONICS, INC.					
Document Number	401551	Rev	I	Date:	Monday, July 21, 2008
				Sheet	14 of 50



- 9 DDRB_SMA[0..14] <-> DDRB_SMA[0..14]
- 9 DDRB_SDQ[0..63] <-> DDRB_SDQ[0..63]
- 9 DDRB_SDM[0..7] <-> DDRB_SDM[0..7]



DIMM1 REV H:9.2mm (BOT)

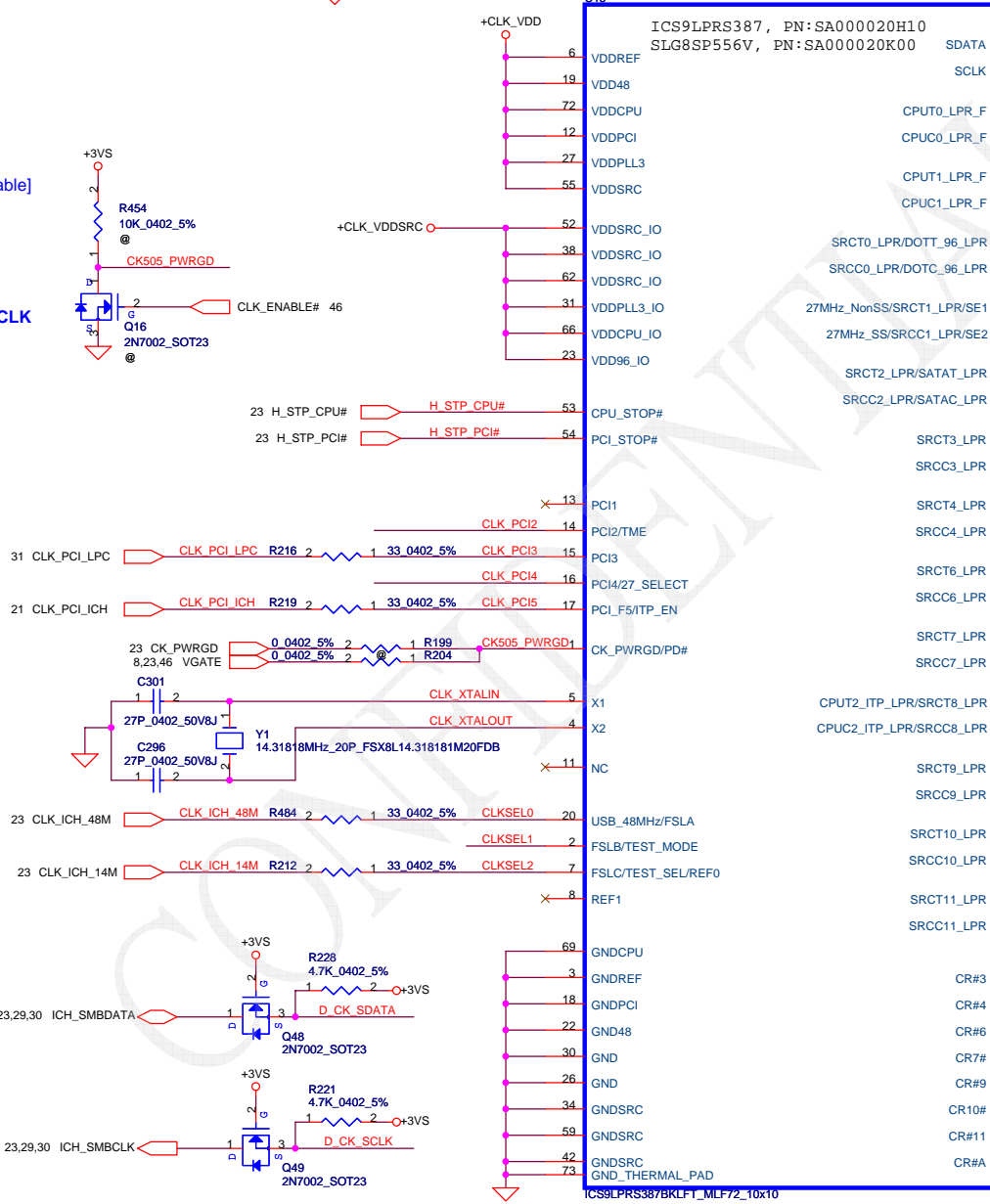
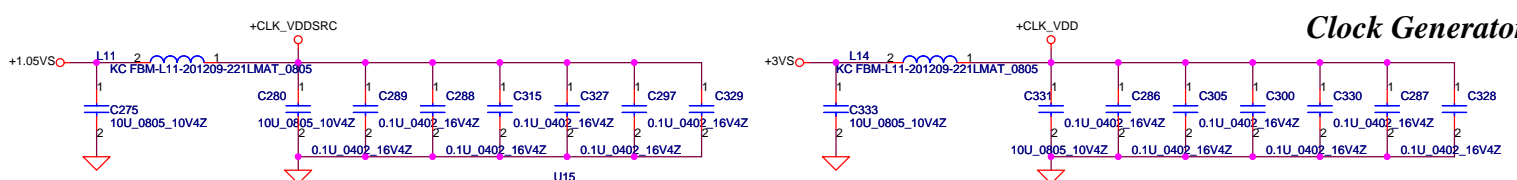
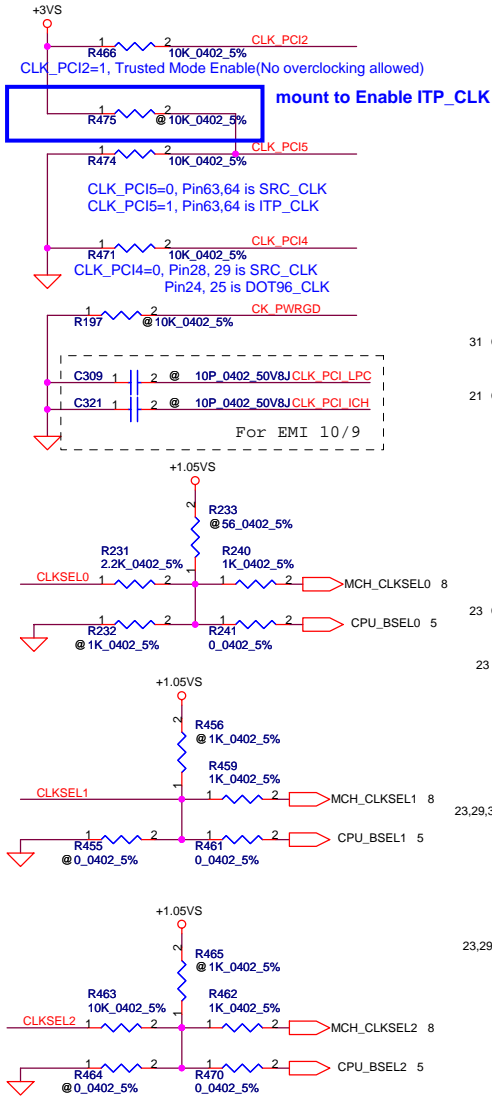
Security Classification	Compal Secret Data		Title	Compal Electronics, Inc.	
Issued Date	2007/09/20	Deciphered Date	2008/09/20	SCHEMATIC_LA-4201P	
THIS SHEET OF ENGINEERING DRAWING IS THE PROPRIETARY PROPERTY OF COMPAL ELECTRONICS, INC. AND CONTAINS CONFIDENTIAL AND TRADE SECRET INFORMATION. THIS SHEET MAY NOT BE TRANSFERRED FROM THE CUSTODY OF THE COMPETENT DIVISION OF R&D DEPARTMENT EXCEPT AS AUTHORIZED BY COMPAL ELECTRONICS, INC. NEITHER THIS SHEET NOR THE INFORMATION IT CONTAINS MAY BE USED BY OR DISCLOSED TO ANY THIRD PARTY WITHOUT PRIOR WRITTEN CONSENT OF COMPAL ELECTRONICS, INC.				Document Number	Rev
				401551	I
				Date: Monday, July 21, 2008	Sheet 15 of 50

FSLC	FSLB	FSLA	CPU MHz	SRC MHz	PCI MHz
0	0	0	266	100	33.3
0	1	0	200	100	33.3
0	1	1	166	100	33.3

Table : ICS9LPRS387

CLK_REQ#	Control	Free-Run
CR#_10(WLAN)	PCIEX10	PCIEX0
CR#_6(MCH)	PCIEX6	PCIEX1
CR#_4(NEW CARD)	PCIEX4	
CR#_9(MINI CARDII)	PCIEX9	

SRC7(VGA_CLK): Discrete VGA[Enable] UMA[Disable]

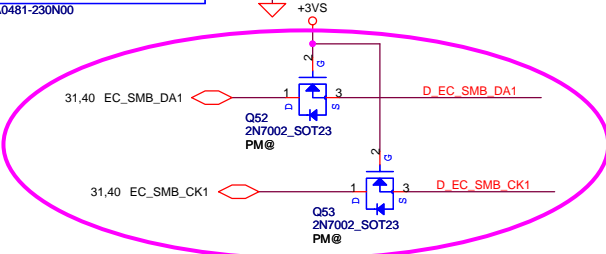
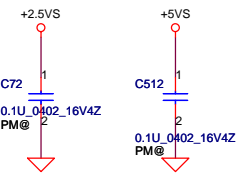
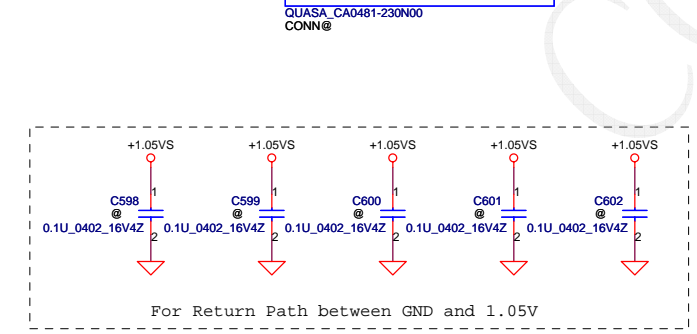
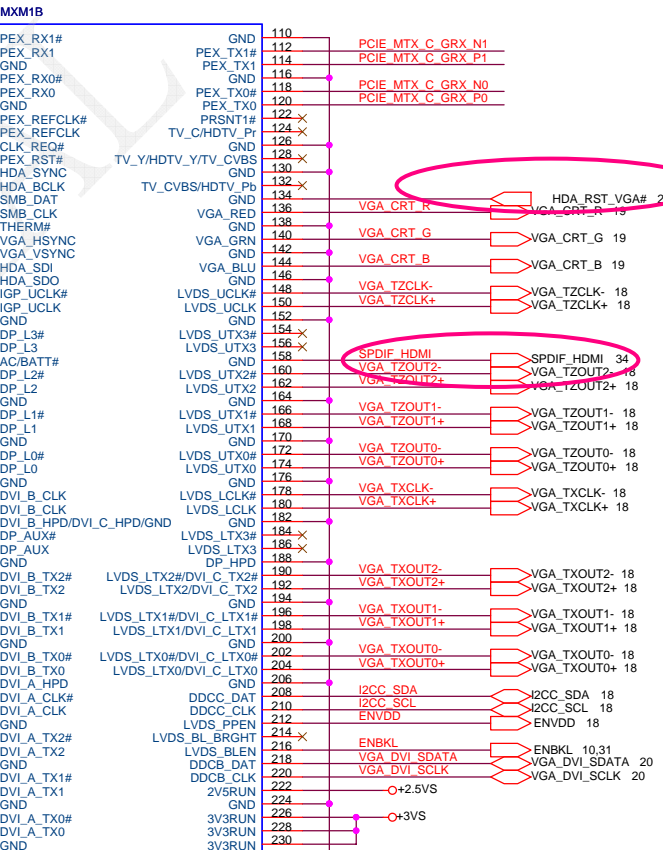
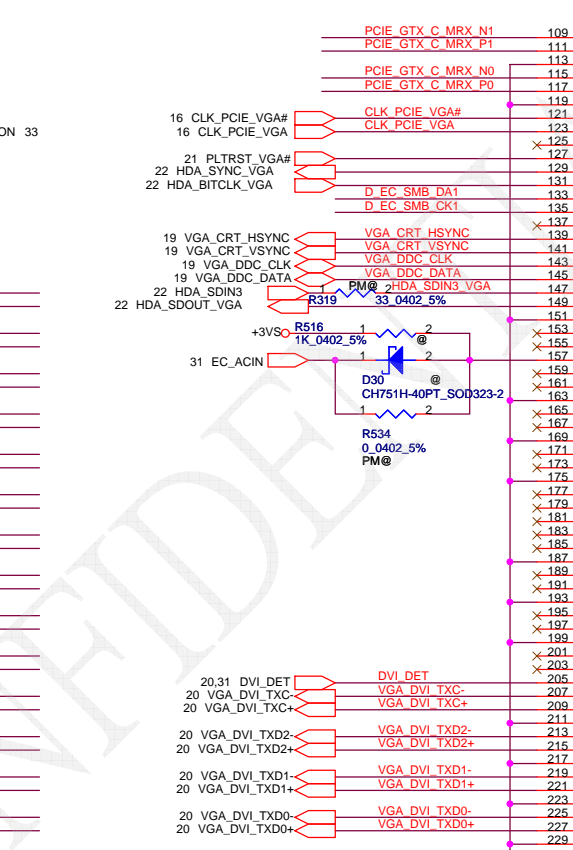
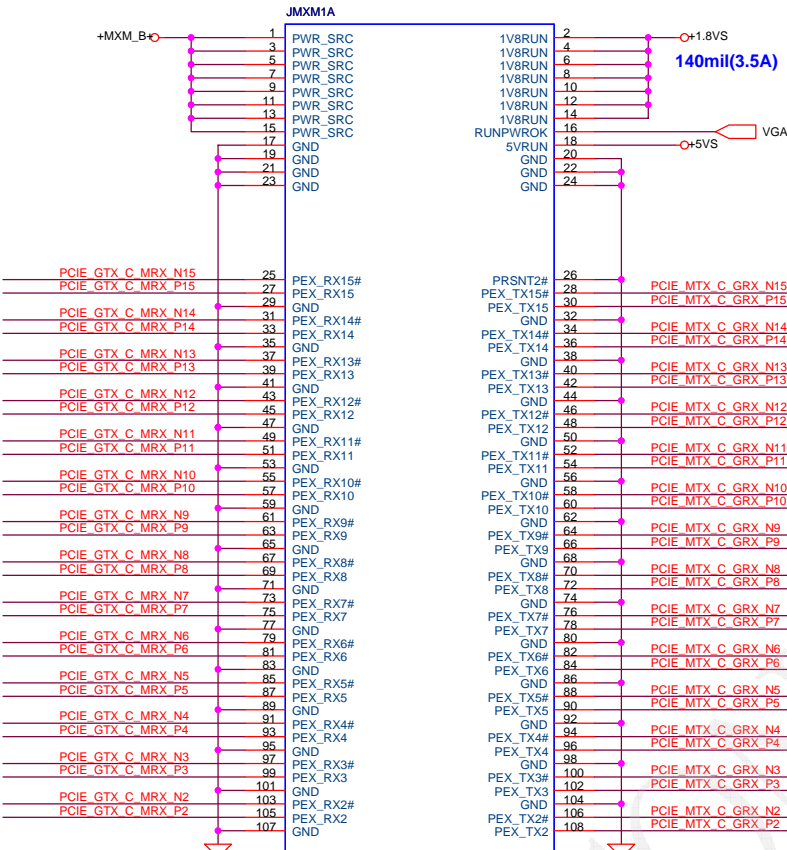
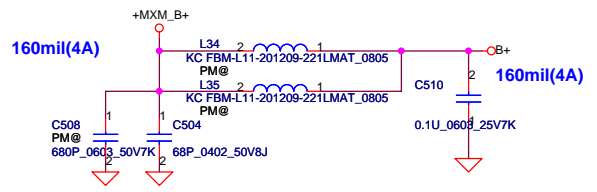
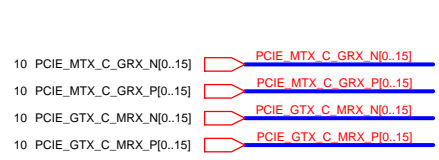


Clock Generator

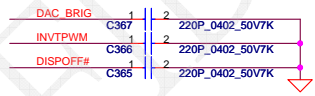
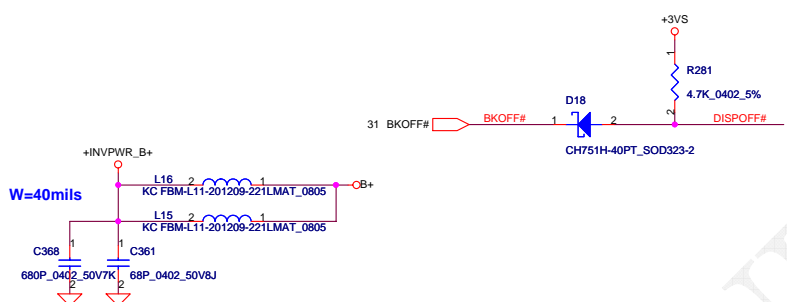
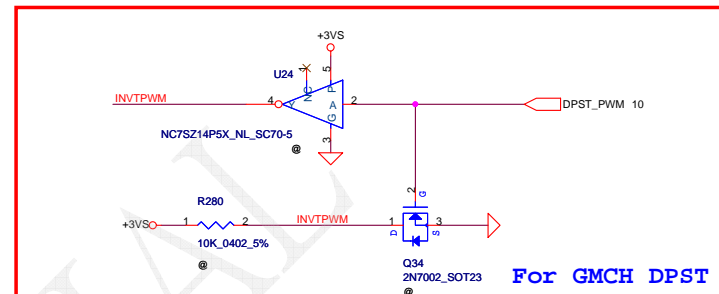
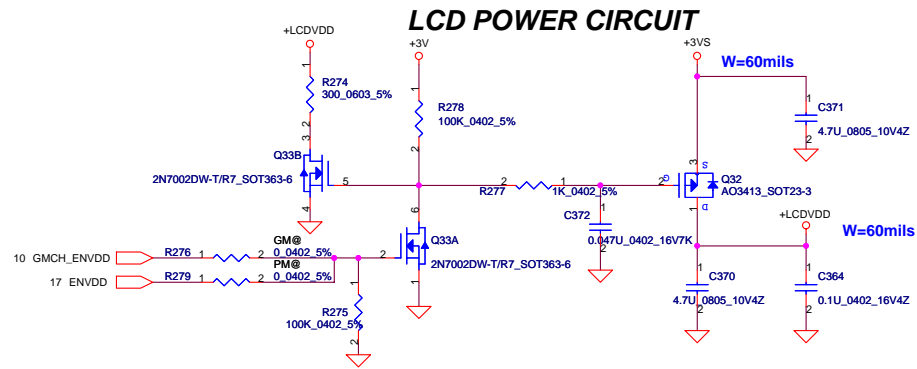
VGA: disable this pair by BIOS
VGA: disable this pair by BIOS

UMA: disable this pair by BIOS

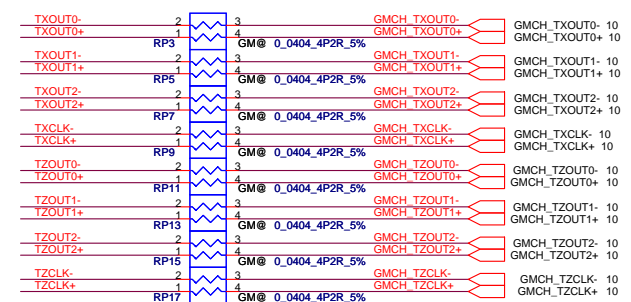
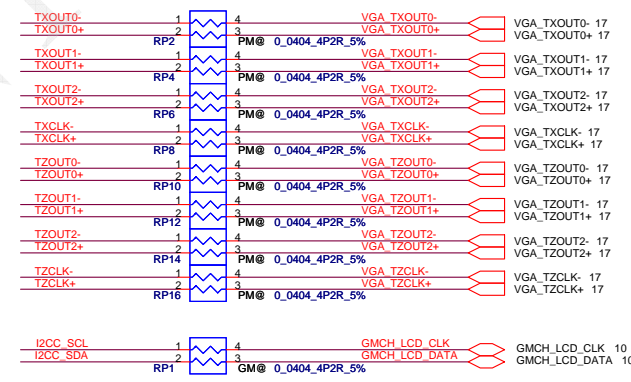
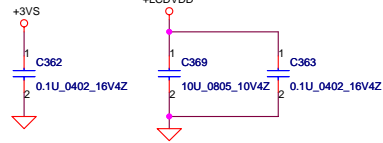
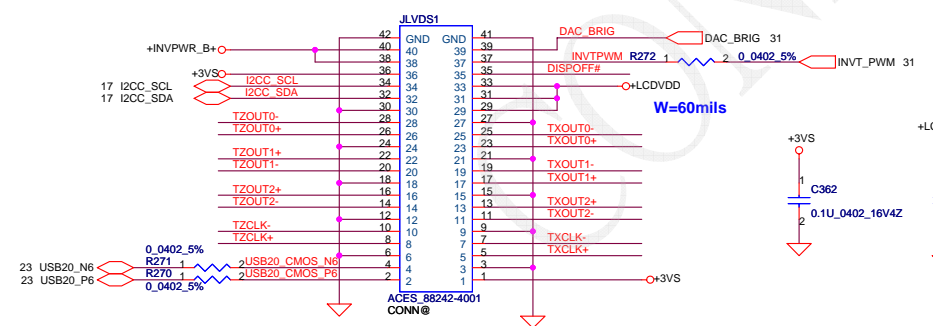
Security Classification		Compal Secret Data		Compal Electronics, Inc.	
Issued Date	2007/09/20	Deciphered Date	2008/09/20	Title	
THIS SHEET OF ENGINEERING DRAWING IS THE PROPRIETARY PROPERTY OF COMPAL ELECTRONICS, INC. AND CONTAINS CONFIDENTIAL AND TRADE SECRET INFORMATION. THIS SHEET MAY NOT BE TRANSFERRED FROM THE CUSTODY OF THE COMPETENT DIVISION OF R&D DEPARTMENT EXCEPT AS AUTHORIZED BY COMPAL ELECTRONICS, INC. NEITHER THIS SHEET NOR THE INFORMATION IT CONTAINS MAY BE USED BY OR DISCLOSED TO ANY THIRD PARTY WITHOUT PRIOR WRITTEN CONSENT OF COMPAL ELECTRONICS, INC.				Document Number	Rev
				401551	1
				Date: Monday, July 21, 2008	Sheet 16 of 50



Security Classification		Compal Secret Data		Compal Electronics, Inc.	
Issued Date	2007/09/20	Deciphered Date	2008/09/20	Title	
THIS SHEET OF ENGINEERING DRAWING IS THE PROPRIETARY PROPERTY OF COMPAL ELECTRONICS, INC. AND CONTAINS CONFIDENTIAL AND TRADE SECRET INFORMATION. THIS SHEET MAY NOT BE TRANSFERRED FROM THE CUSTODY OF THE COMPETENT DIVISION OF R&D DEPARTMENT EXCEPT AS AUTHORIZED BY COMPAL ELECTRONICS, INC. NEITHER THIS SHEET NOR THE INFORMATION IT CONTAINS MAY BE USED BY OR DISCLOSED TO ANY THIRD PARTY WITHOUT PRIOR WRITTEN CONSENT OF COMPAL ELECTRONICS, INC.				Document Number	Rev 1
				401551	
				Date: Monday, July 21, 2008	Sheet 17 of 50

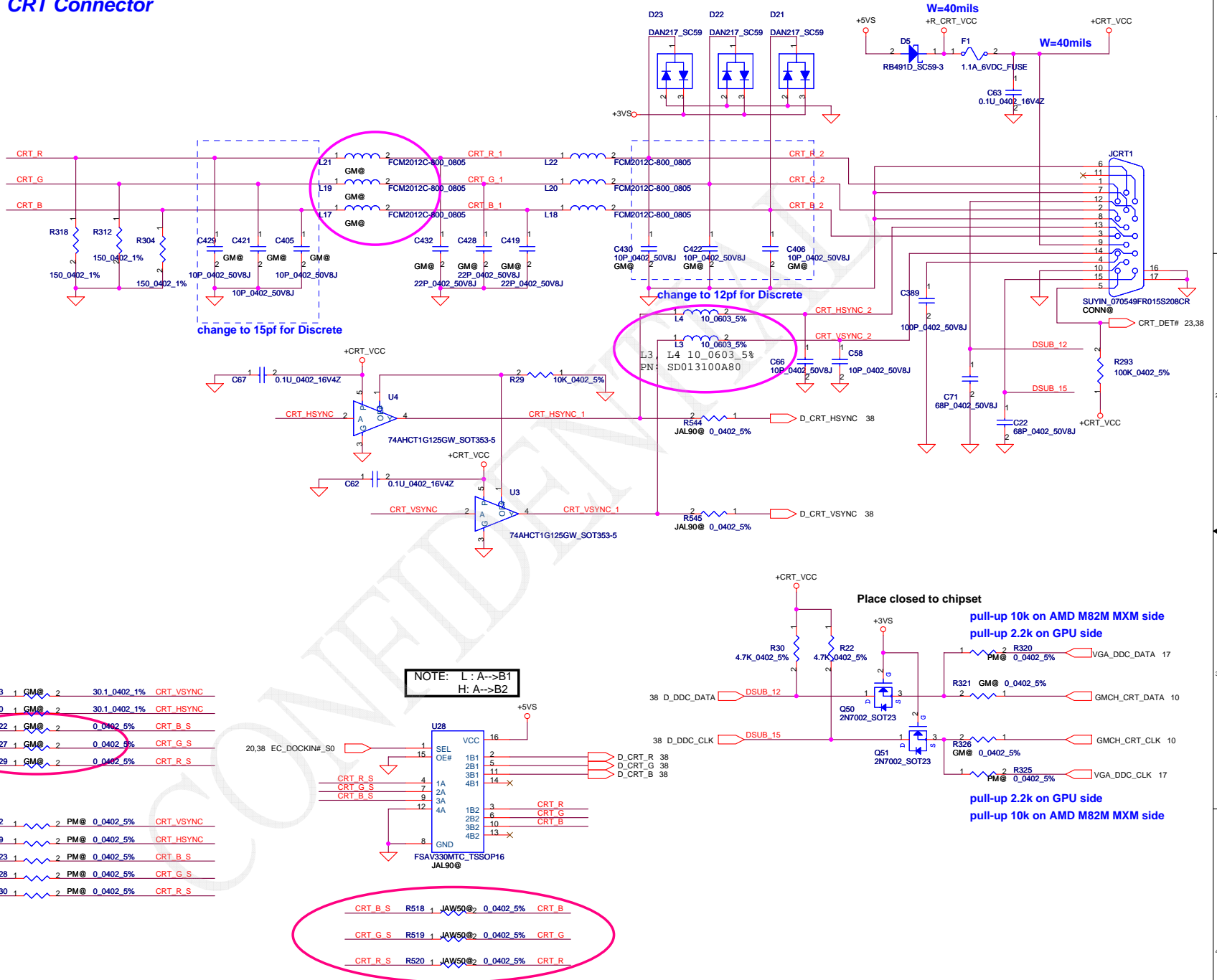


LCD/PANEL BD. Conn.

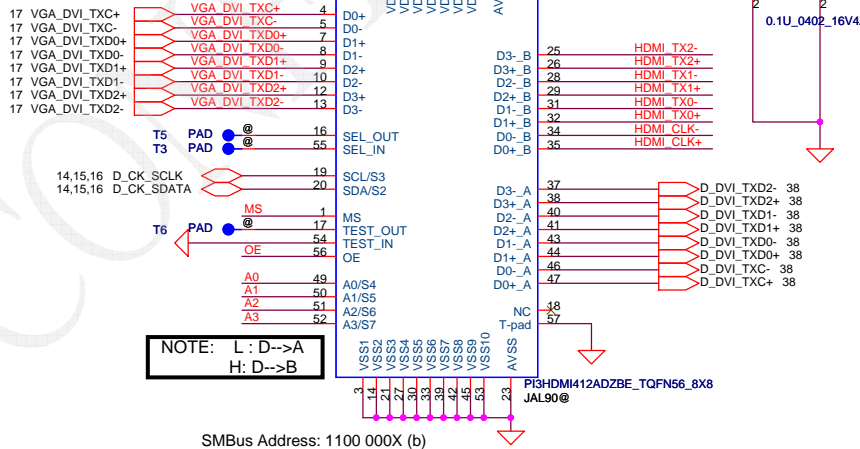
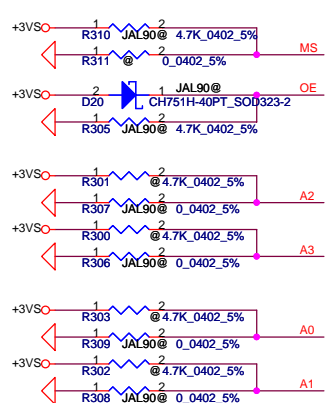
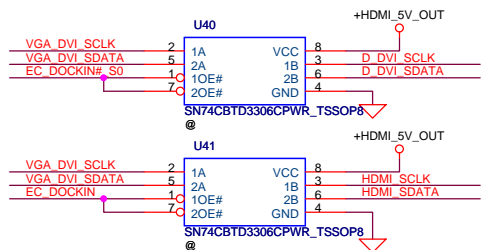
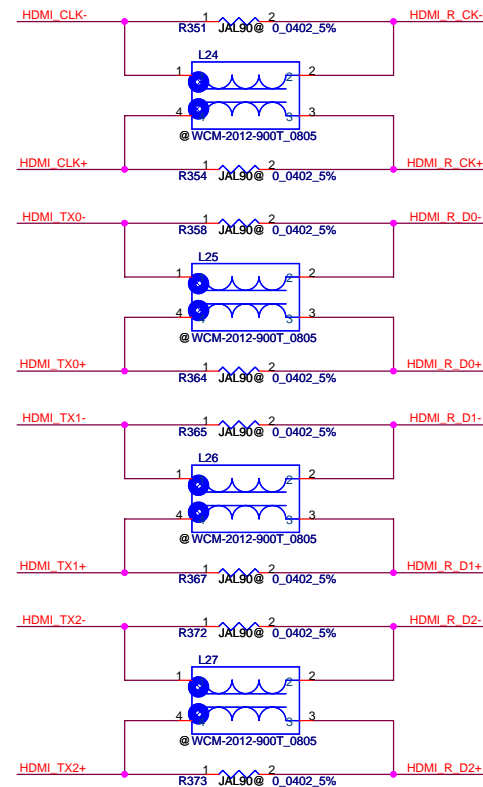
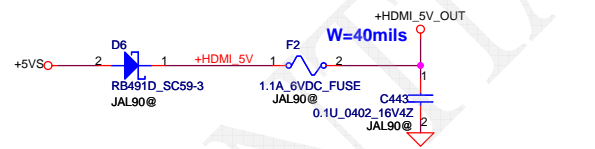
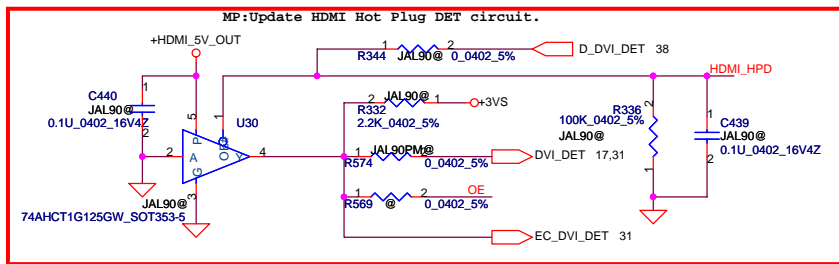
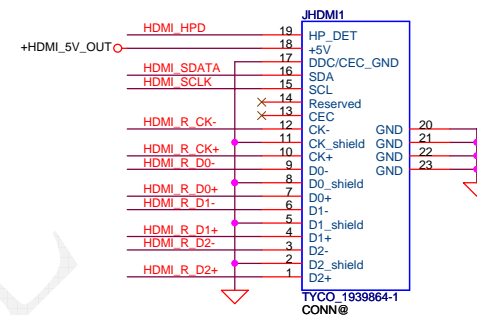
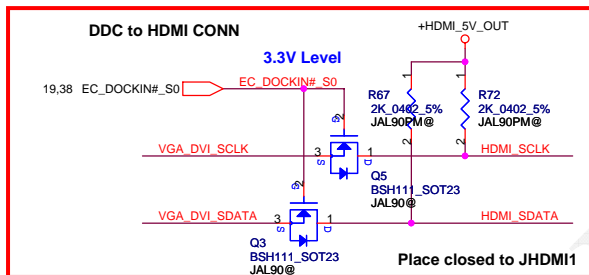
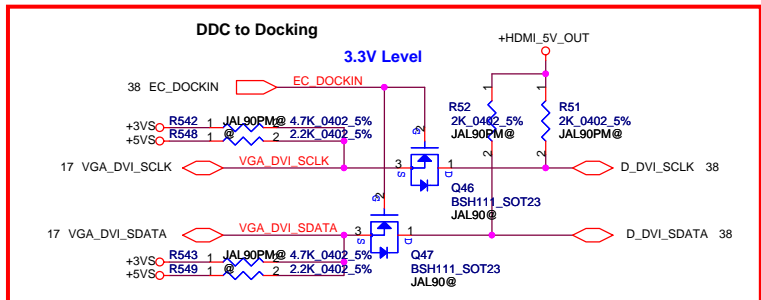


Security Classification	Compal Secret Data		Title	Compal Electronics, Inc.	
Issued Date	2007/09/20	Deciphered Date	2008/09/20	SCHEMATIC,LA-4201P	
THIS SHEET OF ENGINEERING DRAWING IS THE PROPRIETARY PROPERTY OF COMPAL ELECTRONICS, INC. AND CONTAINS CONFIDENTIAL AND TRADE SECRET INFORMATION. THIS SHEET MAY NOT BE TRANSFERRED FROM THE CUSTODY OF THE COMPETENT DIVISION OF RELIABLE INFORMATION DEPARTMENT EXCEPT AS AUTHORIZED BY COMPAL ELECTRONICS, INC. NEITHER THIS SHEET NOR THE INFORMATION IT CONTAINS MAY BE USED BY OR DISCLOSED TO ANY THIRD PARTY WITHOUT PRIOR WRITTEN CONSENT OF COMPAL ELECTRONICS, INC.					
Date:	Monday, July 21, 2008	Sheet	18	of	50

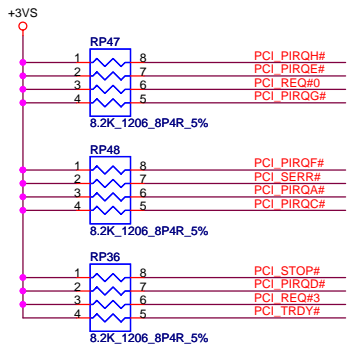
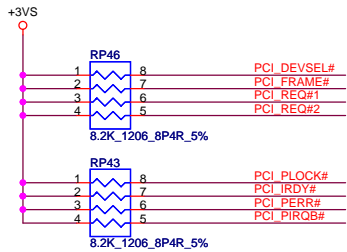
CRT Connector



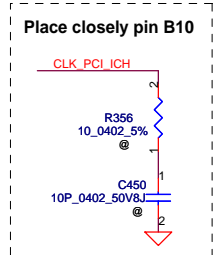
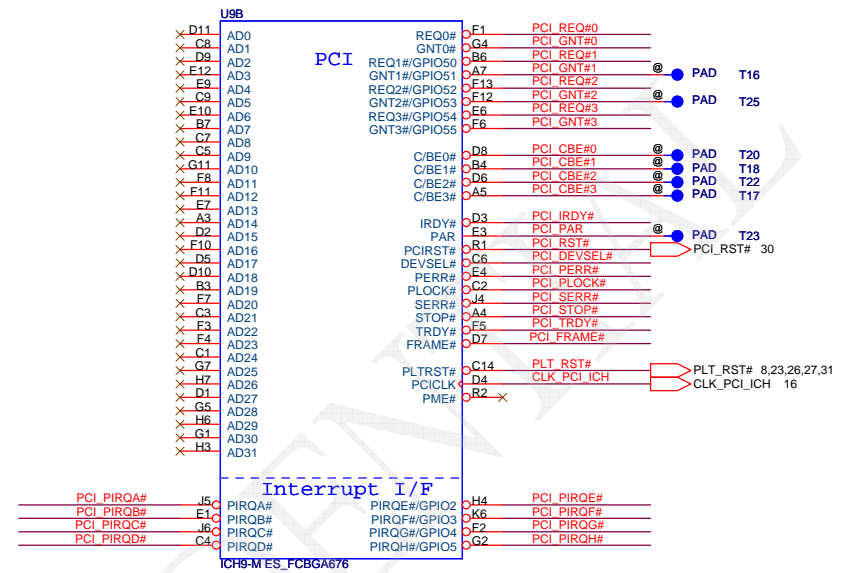
Security Classification		Compal Secret Data		Title	
Issued Date	2007/09/20	Deciphered Date	2008/09/20	Compal Electronics, Inc.	
THIS SHEET OF ENGINEERING DRAWING IS THE PROPRIETARY PROPERTY OF COMPAL ELECTRONICS, INC. AND CONTAINS CONFIDENTIAL AND TRADE SECRET INFORMATION. THIS SHEET MAY NOT BE TRANSFERRED FROM THE CUSTODY OF THE COMPETENT DIVISION OF R&D DEPARTMENT EXCEPT AS AUTHORIZED BY COMPAL ELECTRONICS, INC. NEITHER THIS SHEET NOR THE INFORMATION IT CONTAINS MAY BE USED BY OR DISCLOSED TO ANY THIRD PARTY WITHOUT PRIOR WRITTEN CONSENT OF COMPAL ELECTRONICS, INC.				Document Number	Rev
				401551	I
Date: Monday, July 21, 2008				Sheet	19 of 50



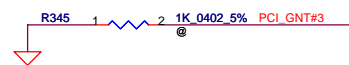
Security Classification		Compal Secret Data		Compal Electronics, Inc.	
Issued Date	2007/09/20	Deciphered Date	2008/09/20	Title	
THIS SHEET OF ENGINEERING DRAWING IS THE PROPRIETARY PROPERTY OF COMPAL ELECTRONICS, INC. AND CONTAINS CONFIDENTIAL AND TRADE SECRET INFORMATION. THIS SHEET MAY NOT BE TRANSFERRED FROM THE CUSTODY OF THE COMPETENT IT CONTAINS DEPARTMENT EXCEPT AS AUTHORIZED BY COMPAL ELECTRONICS, INC. NEITHER THIS SHEET NOR THE INFORMATION IT CONTAINS MAY BE USED BY OR DISCLOSED TO ANY THIRD PARTY WITHOUT PRIOR WRITTEN CONSENT OF COMPAL ELECTRONICS, INC.				Document Number	Rev
				401551	1
Date: Monday, July 21, 2008				Sheet	20 of 50



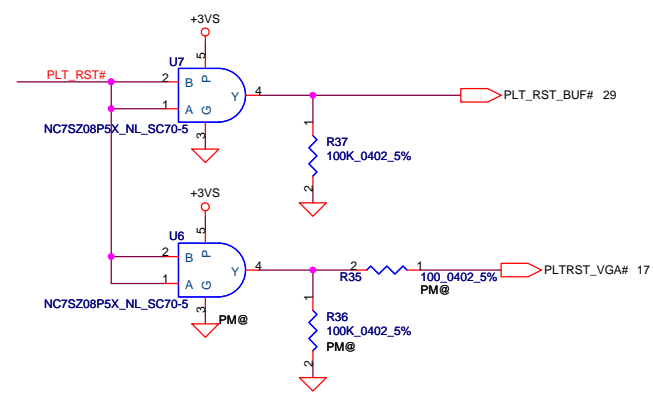
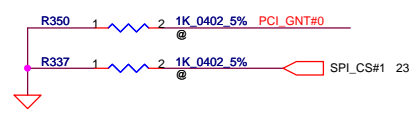
DMI for ESI-compatible operation
PCI_GNT#1 Low= DMI for ESI-compatible operation
 High= Default* (Internal pull-up)



A16 Swap Override Strap
PCI_GNT#3 Low= A16 swap override Enable
 High= Default*



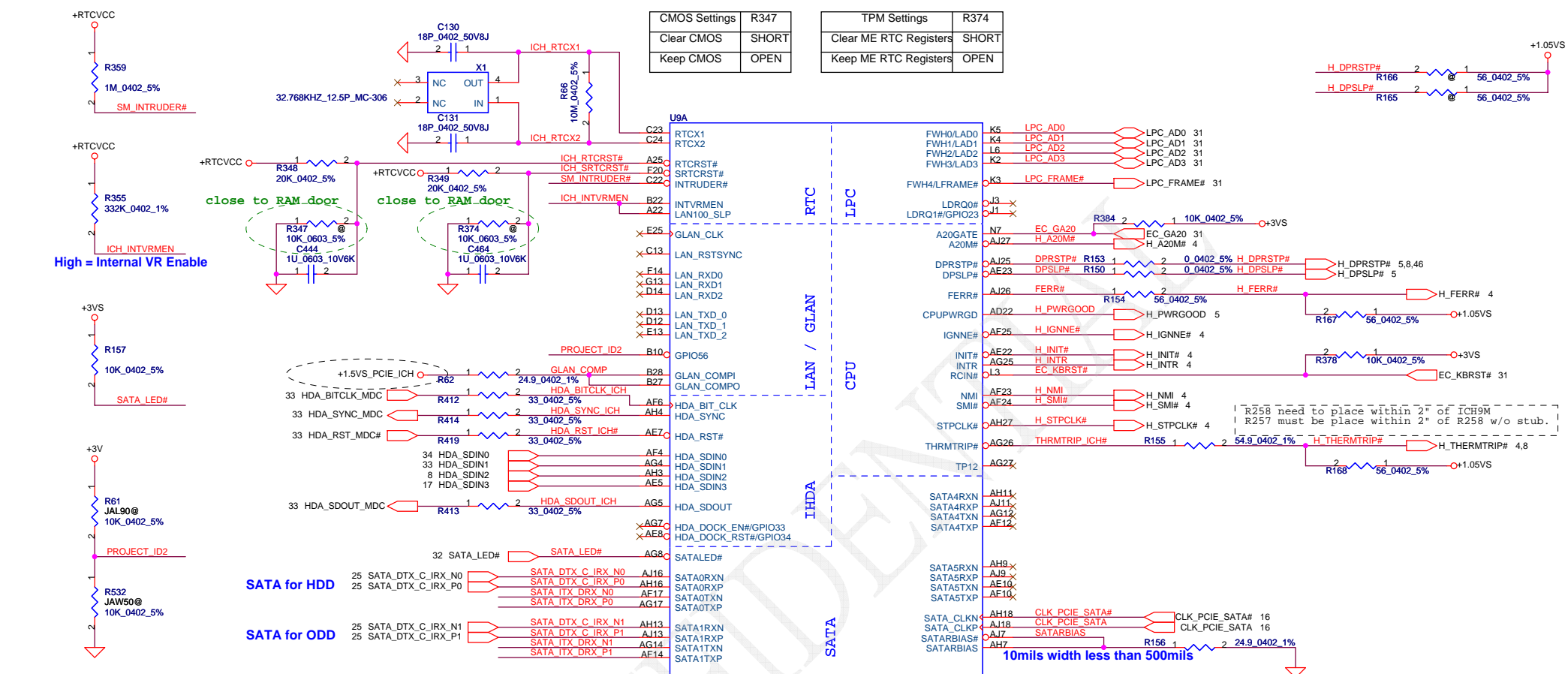
Boot BIOS Strap		
PCI_GNT#0	SPI_CS#1	Boot BIOS Location
0	1	SPI
1	0	PCI
1	1	LPC*



For VGA/B

CMOS Settings		R347
Clear CMOS		SHORT
Keep CMOS		OPEN

TPM Settings		R374
Clear ME RTC Registers		SHORT
Keep ME RTC Registers		OPEN



SATA for HDD

SATA for ODD

HDA for AUDIO

HDA for GMCH

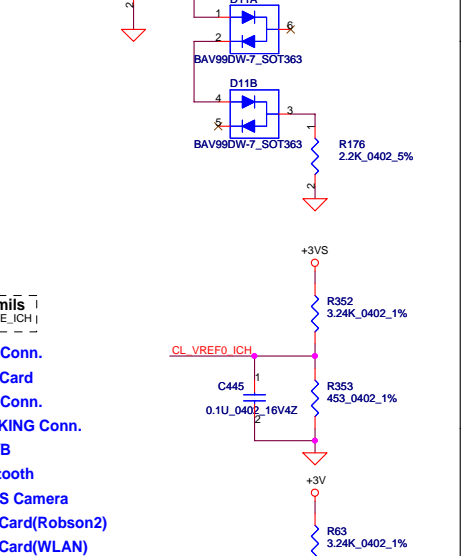
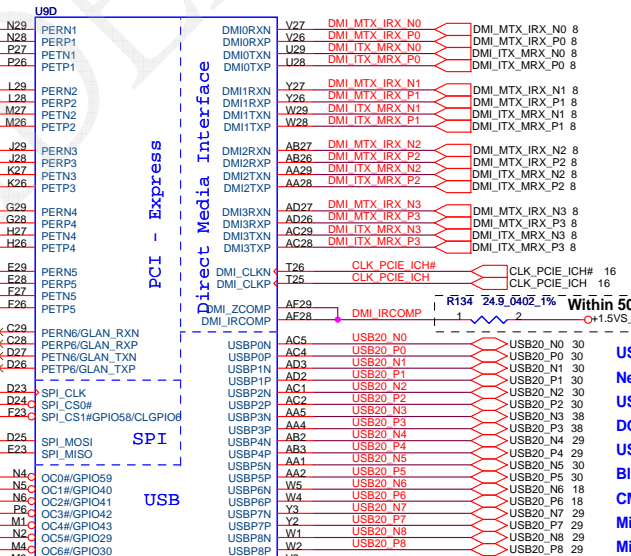
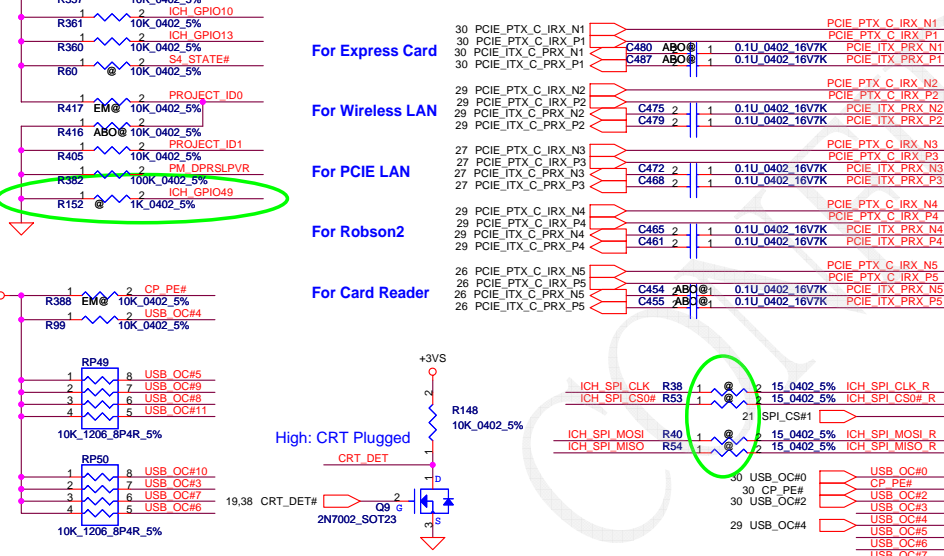
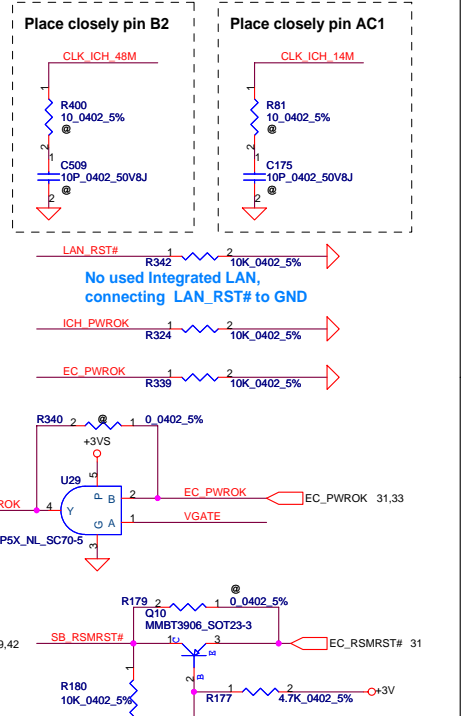
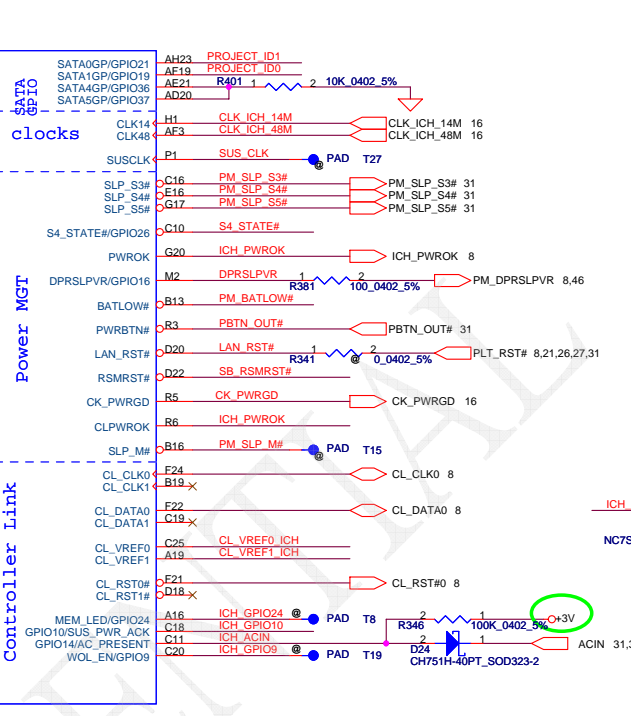
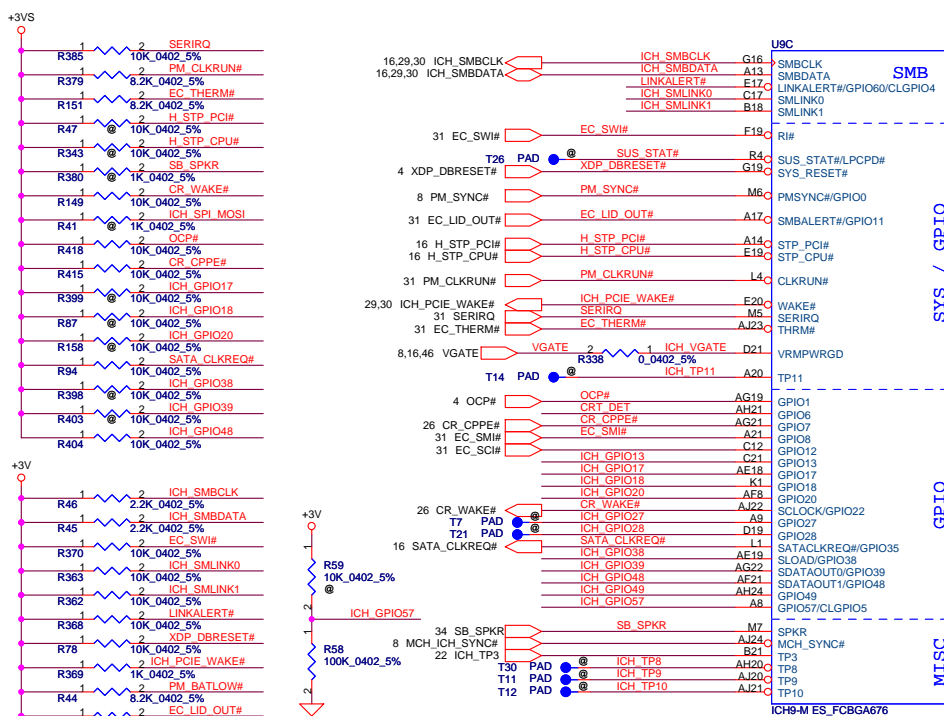
HDA for VGA

XOR Chain Entrance Strap		
ICH_TP3	HDA_SDOUT	Description
0	0	RSVD
0	1	Enter XOR Chain
1	0	Normal Operation
1	1	Set PCIe port config bit 1

Flash Descriptor Security Override Strap
 GPIO33 Low= Descriptor Security override
 High= Default* (Internal pull-up)

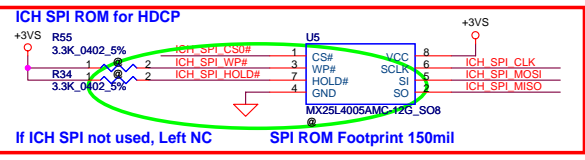
Security Classification		Compal Secret Data	
Issued Date	2007/09/20	Deciphered Date	2008/09/20
THIS SHEET OF ENGINEERING DRAWING IS THE PROPRIETARY PROPERTY OF COMPAL ELECTRONICS, INC. AND CONTAINS CONFIDENTIAL AND TRADE SECRET INFORMATION. THIS SHEET MAY NOT BE TRANSFERRED FROM THE CUSTODY OF THE COMPETENT DIVISION OF RESEARCH AND DEVELOPMENT EXCEPT AS AUTHORIZED BY COMPAL ELECTRONICS, INC. NEITHER THIS SHEET NOR THE INFORMATION IT CONTAINS MAY BE USED BY OR DISCLOSED TO ANY THIRD PARTY WITHOUT PRIOR WRITTEN CONSENT OF COMPAL ELECTRONICS, INC.			

Compal Electronics, Inc.	
SCHEMATIC,LA-4201P	
Title	Document Number
Customer	401551
Date	Monday, July 21, 2008
Sheet	22 of 50



Internal TPM Strap
 Low= Disable*
 High= iTPM enable by MCH strap

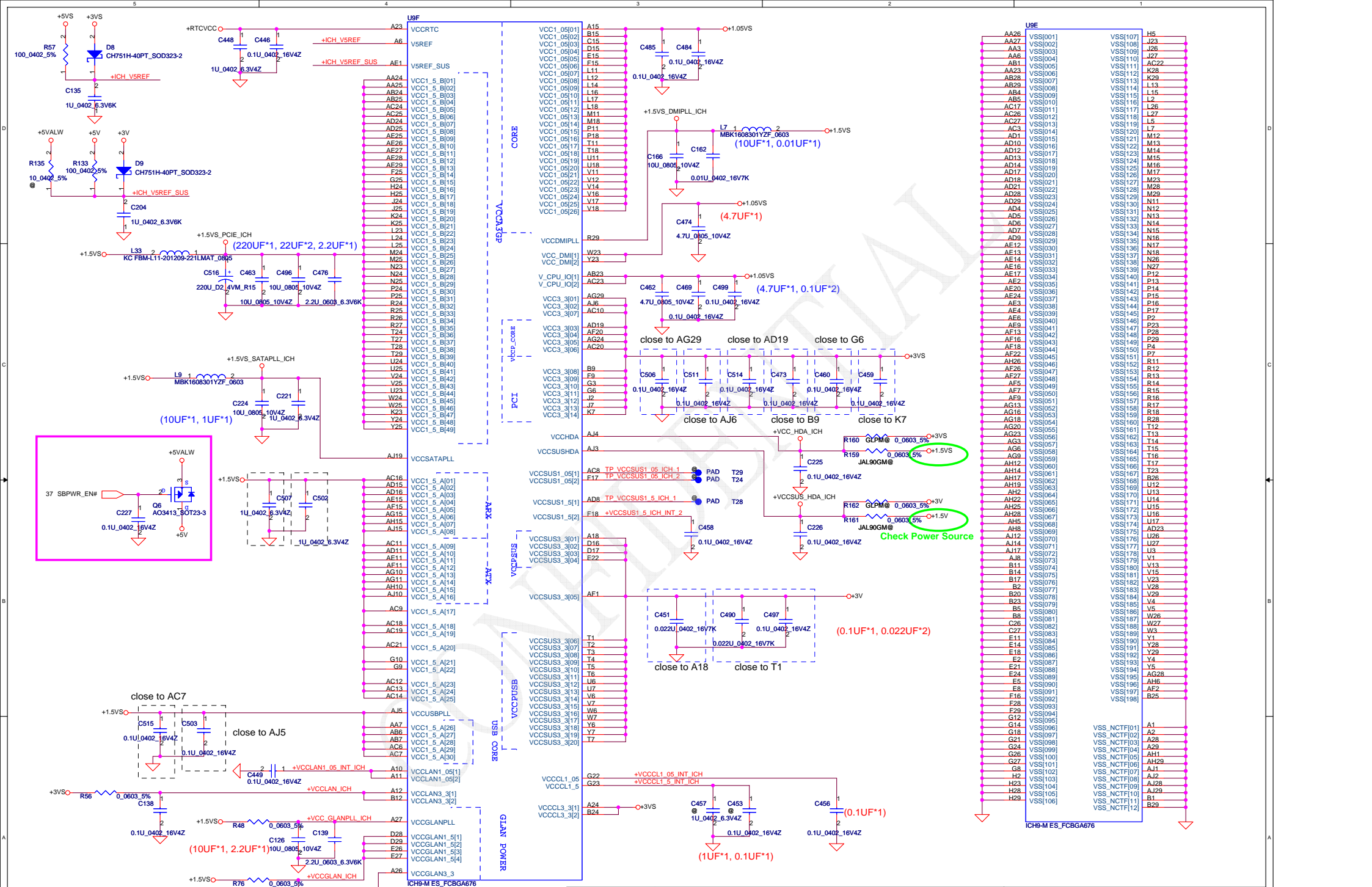
DMI Termination Voltage
 Low= Desktop used
 High= Mobile* (Internal pull-up)



USB
 USB_OC#0 through USB_OC#11

No Reboot Strap
 Low= Default*
 High= "No Reboot"

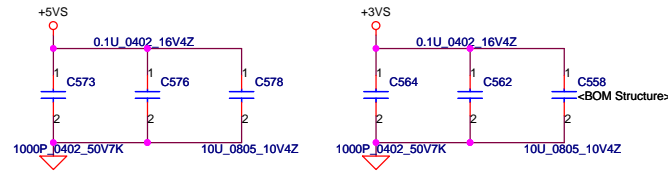
Security Classification	2007/09/20	Compal Secret Data	2008/09/20	Title	Compal Electronics, Inc.
Issued Date	2007/09/20	Deciphered Date	2008/09/20	Document Number	SCHEMATIC.LA-4201P
THIS SHEET OF ENGINEERING DRAWING IS THE PROPRIETARY PROPERTY OF COMPAL ELECTRONICS, INC. AND CONTAINS CONFIDENTIAL AND TRADE SECRET INFORMATION. THIS SHEET MAY NOT BE TRANSFERRED FROM THE CUSTODY OF THE COMPETENT DIVISION OF R&D DEPARTMENT EXCEPT AS AUTHORIZED BY COMPAL ELECTRONICS, INC. NEITHER THIS SHEET NOR THE INFORMATION IT CONTAINS MAY BE USED BY OR DISCLOSED TO ANY THIRD PARTY WITHOUT PRIOR WRITTEN CONSENT OF COMPAL ELECTRONICS, INC.					
Customer	401551	Date	Monday, July 21, 2008	Sheet	23 of 50



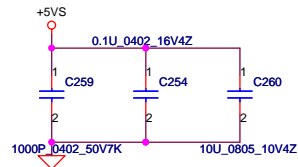
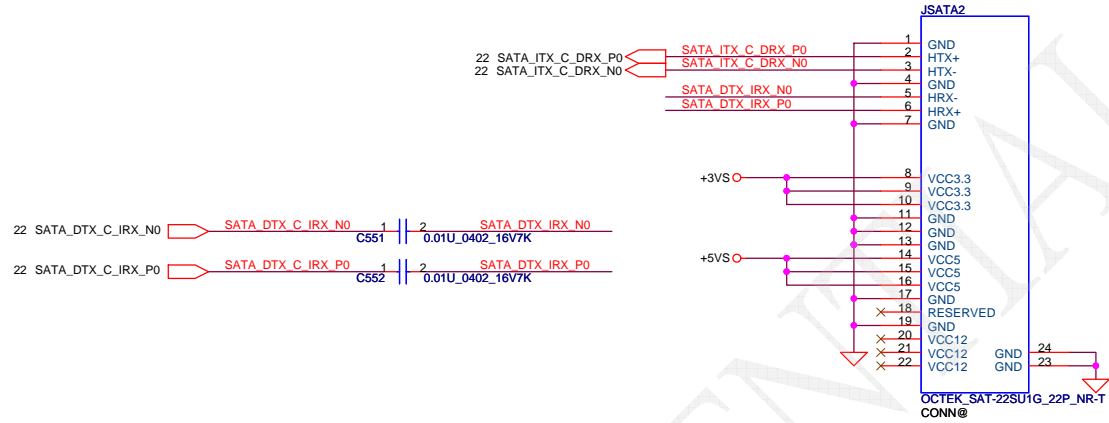
Security Classification	Compal Secret Data	
Issued Date	2007/09/20	Deciphered Date
		2008/09/20

THIS SHEET OF ENGINEERING DRAWING IS THE PROPRIETARY PROPERTY OF COMPAL ELECTRONICS, INC. AND CONTAINS CONFIDENTIAL AND TRADE SECRET INFORMATION. THIS SHEET MAY NOT BE TRANSFERRED FROM THE CUSTODY OF THE COMPETENT DIVISION OF R&D DEPARTMENT EXCEPT AS AUTHORIZED BY COMPAL ELECTRONICS, INC. NEITHER THIS SHEET NOR THE INFORMATION IT CONTAINS MAY BE USED BY OR DISCLOSED TO ANY THIRD PARTY WITHOUT PRIOR WRITTEN CONSENT OF COMPAL ELECTRONICS, INC.

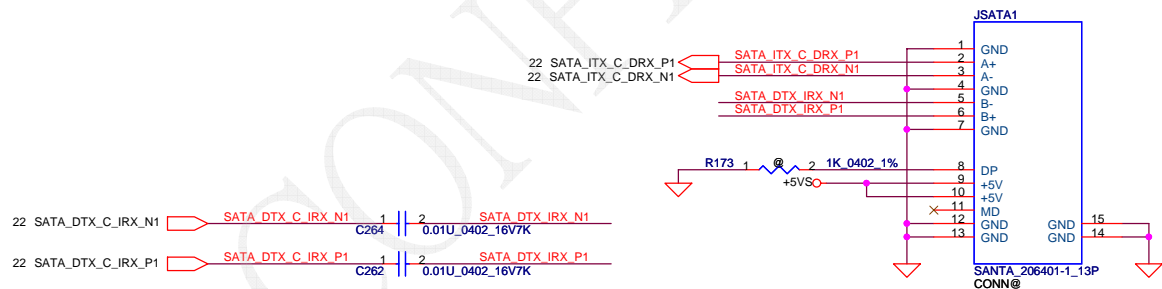
Title		Compal Electronics, Inc.	
SHEMATIC_LA-4201P		Size	Document Number
401551		Date	Mondy, July 21, 2008
Sheet	24	of	50



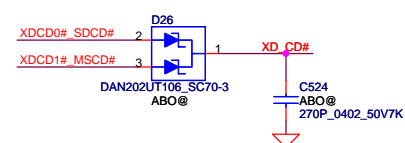
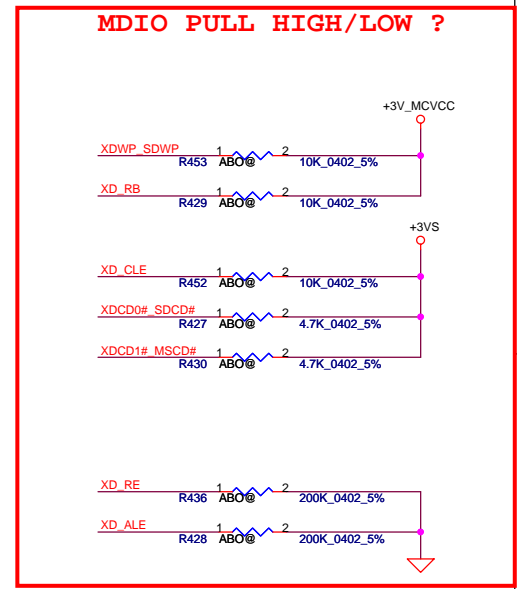
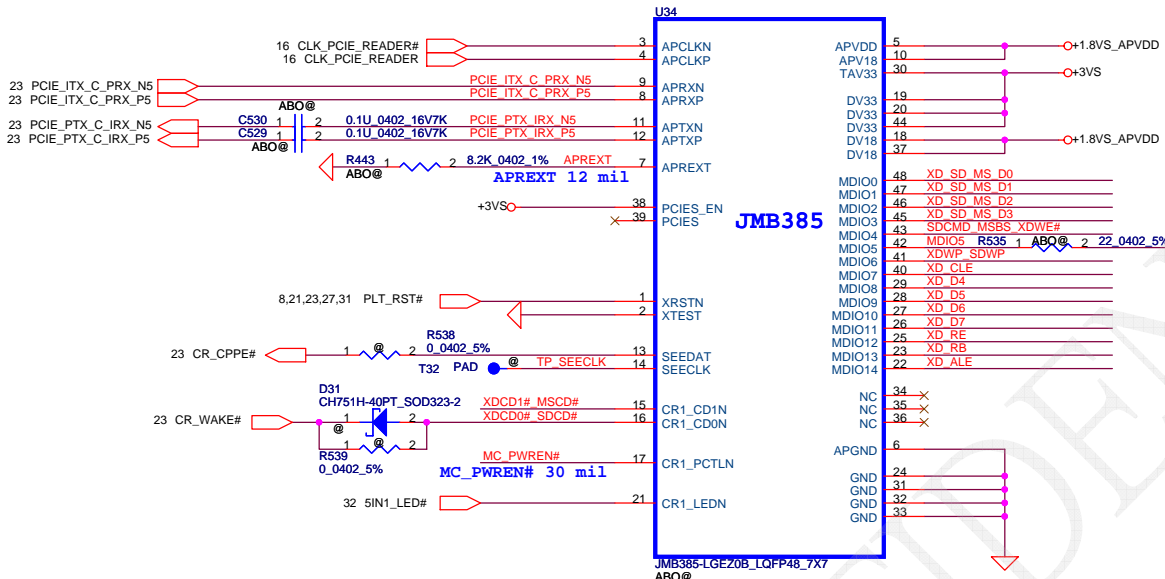
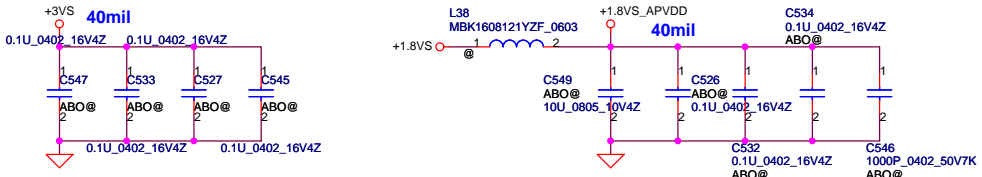
SATA HDD Conn.



SATA ODD Conn.

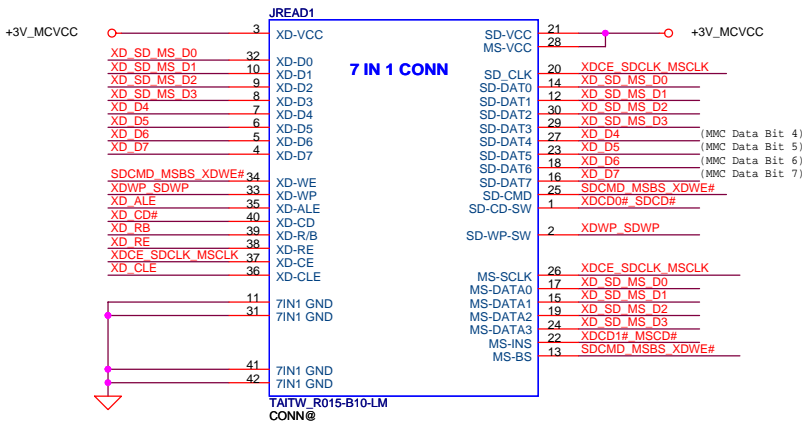
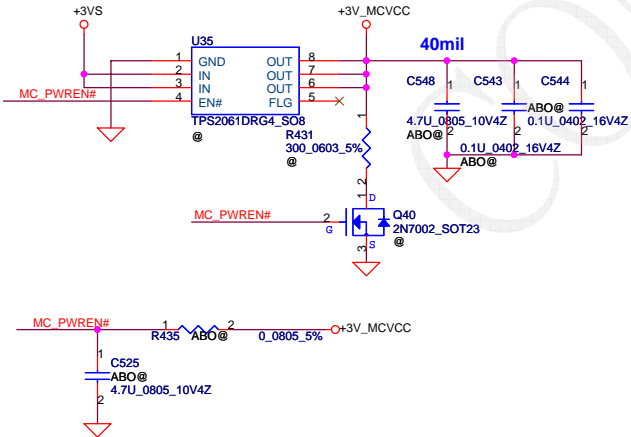


Security Classification		Compal Secret Data		Compal Electronics, Inc.	
Issued Date	2007/09/20	Deciphered Date	2008/09/20	Title	
				SCHEMATIC_LA-4201P	
THIS SHEET OF ENGINEERING DRAWING IS THE PROPRIETARY PROPERTY OF COMPAL ELECTRONICS, INC. AND CONTAINS CONFIDENTIAL AND TRADE SECRET INFORMATION. THIS SHEET MAY NOT BE TRANSFERRED FROM THE CUSTODY OF THE COMPETENT DIVISION OF R&D DEPARTMENT EXCEPT AS AUTHORIZED BY COMPAL ELECTRONICS, INC. NEITHER THIS SHEET NOR THE INFORMATION IT CONTAINS MAY BE USED BY OR DISCLOSED TO ANY THIRD PARTY WITHOUT PRIOR WRITTEN CONSENT OF COMPAL ELECTRONICS, INC.					
Size	Document Number	Customer	Rev		
	401551		1		
Date:	Monday, July 21, 2008	Sheet	25	of 50	



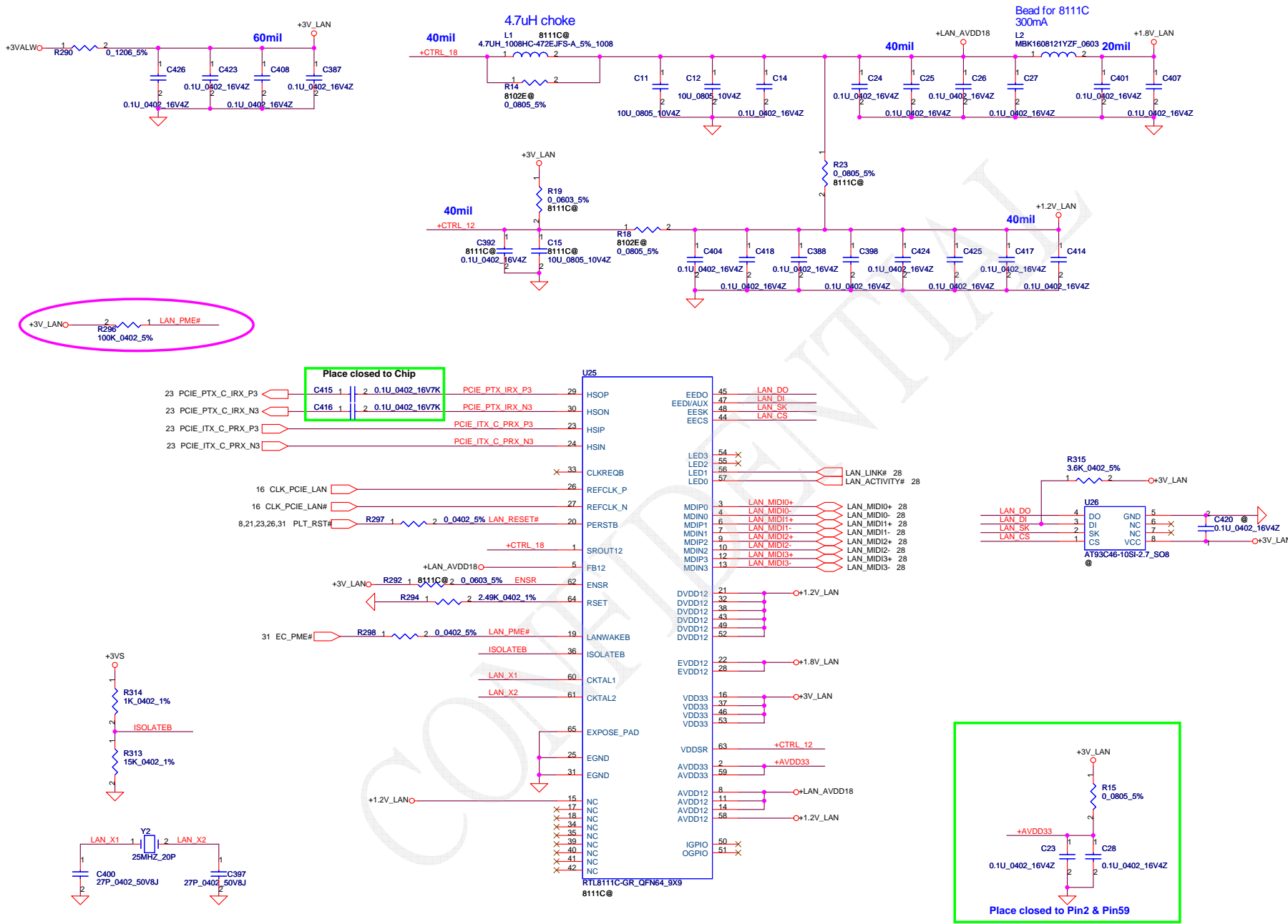
4 IN 1 Socket Push Type(New)

Memory Card Power Switch



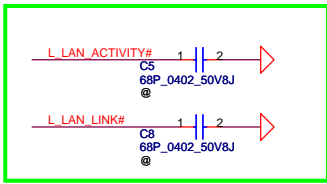
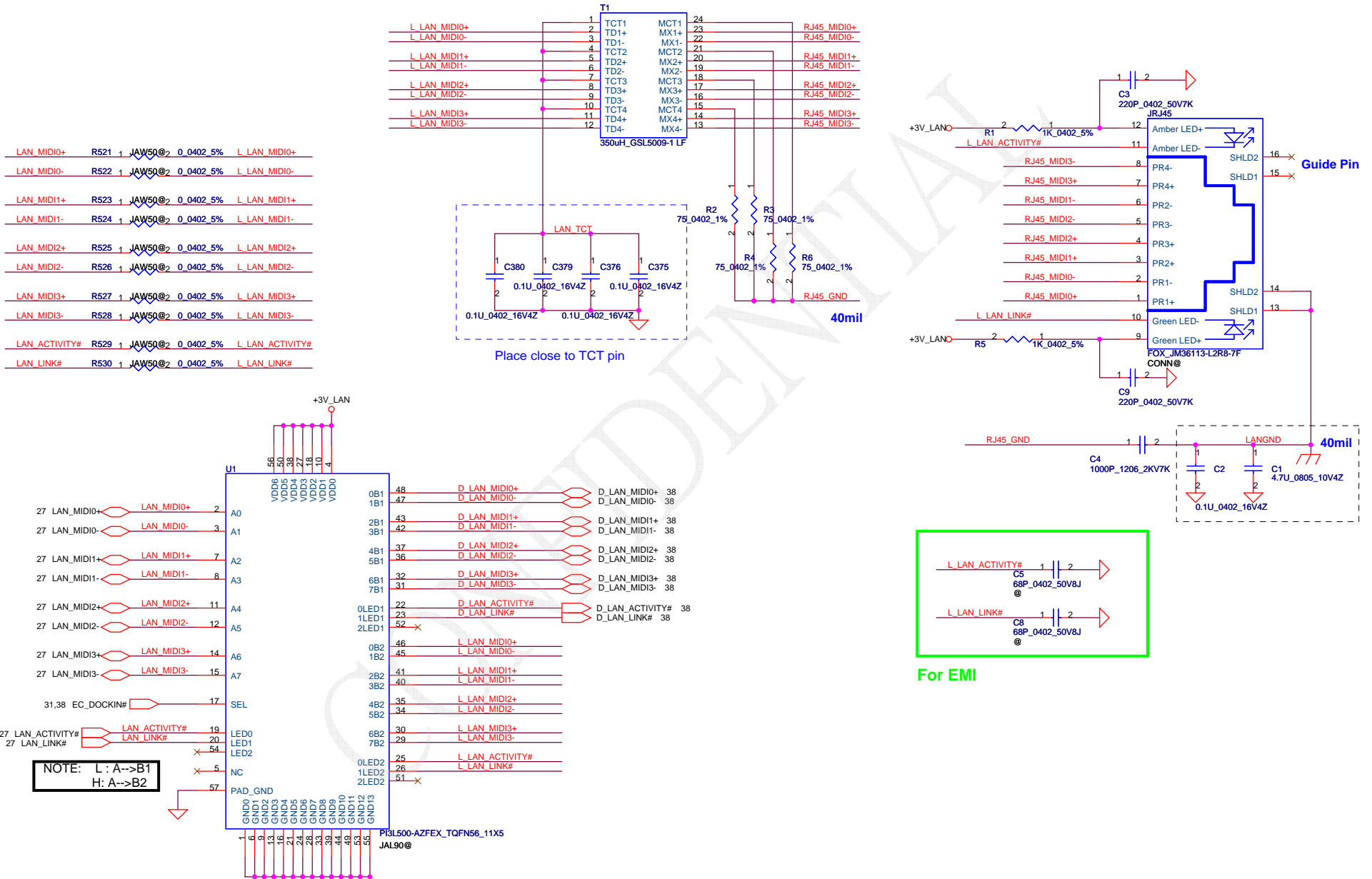
Security Classification		Compal Secret Data		Compal Electronics, Inc.	
Issued Date	2007/09/20	Deciphered Date	2008/09/20	Title	SCHEMATIC_LA-4201P
THIS SHEET OF ENGINEERING DRAWING IS THE PROPRIETARY PROPERTY OF COMPAL ELECTRONICS, INC. AND CONTAINS CONFIDENTIAL AND TRADE SECRET INFORMATION. THIS SHEET MAY NOT BE TRANSFERRED FROM THE CUSTODY OF THE COMPETENT DIVISION OF R&D DEPARTMENT EXCEPT AS AUTHORIZED BY COMPAL ELECTRONICS, INC. NEITHER THIS SHEET NOR THE INFORMATION IT CONTAINS MAY BE USED BY OR DISCLOSED TO ANY THIRD PARTY WITHOUT PRIOR WRITTEN CONSENT OF COMPAL ELECTRONICS, INC.					
Size	Document Number	Customer	401551	Rev	1
Date:	Monday, July 21, 2008	Sheet	26	of	50

LAN RTL8111C/8102E



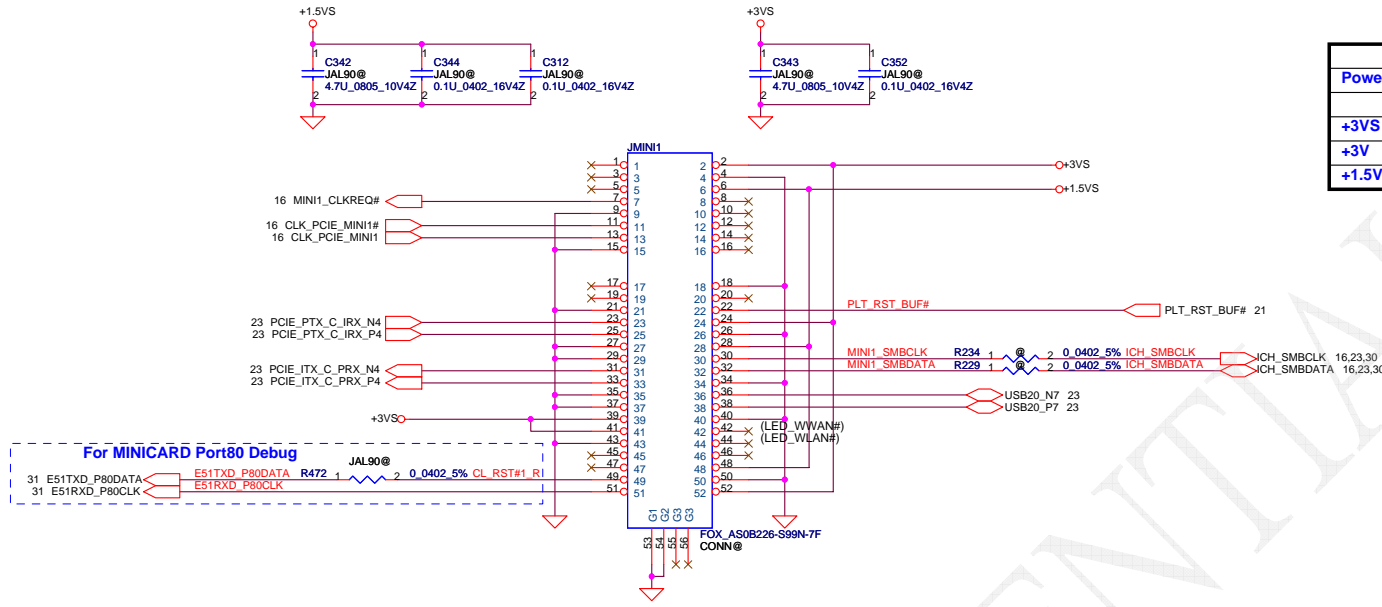
Security Classification	Compal Secret Data		Title	Compal Electronics, Inc.	
Issued Date	2007/09/20	Deciphered Date	2008/09/20	SCHEMATIC,LA-4201P	
THIS SHEET OF ENGINEERING DRAWING IS THE PROPRIETARY PROPERTY OF COMPAL ELECTRONICS, INC. AND CONTAINS CONFIDENTIAL AND TRADE SECRET INFORMATION. THIS SHEET MAY NOT BE TRANSFERRED FROM THE CUSTODY OF THE COMPETENT DIVISION OF R&D DEPARTMENT EXCEPT AS AUTHORIZED BY COMPAL ELECTRONICS, INC. NEITHER THIS SHEET NOR THE INFORMATION IT CONTAINS MAY BE USED BY OR DISCLOSED TO ANY THIRD PARTY WITHOUT PRIOR WRITTEN CONSENT OF COMPAL ELECTRONICS, INC.			Document Number	401551	Rev I
			Date:	Monday, July 21, 2008	Sheet 27 of 50

LAN RTL8111C/8102E



Security Classification		Compal Secret Data		Compal Electronics, Inc.	
Issued Date	2007/09/20	Deciphered Date	2008/09/20	Title	
THIS SHEET OF ENGINEERING DRAWING IS THE PROPRIETARY PROPERTY OF COMPAL ELECTRONICS, INC. AND CONTAINS CONFIDENTIAL AND TRADE SECRET INFORMATION. THIS SHEET MAY NOT BE TRANSFERRED FROM THE CUSTODY OF THE COMPETENT DIVISION OF R&D DEPARTMENT EXCEPT AS AUTHORIZED BY COMPAL ELECTRONICS, INC. NEITHER THIS SHEET NOR THE INFORMATION IT CONTAINS MAY BE USED BY OR DISCLOSED TO ANY THIRD PARTY WITHOUT PRIOR WRITTEN CONSENT OF COMPAL ELECTRONICS, INC.				Document Number	Rev
				401551	1
Date: Monday, July 21, 2008				Sheet	28 of 50

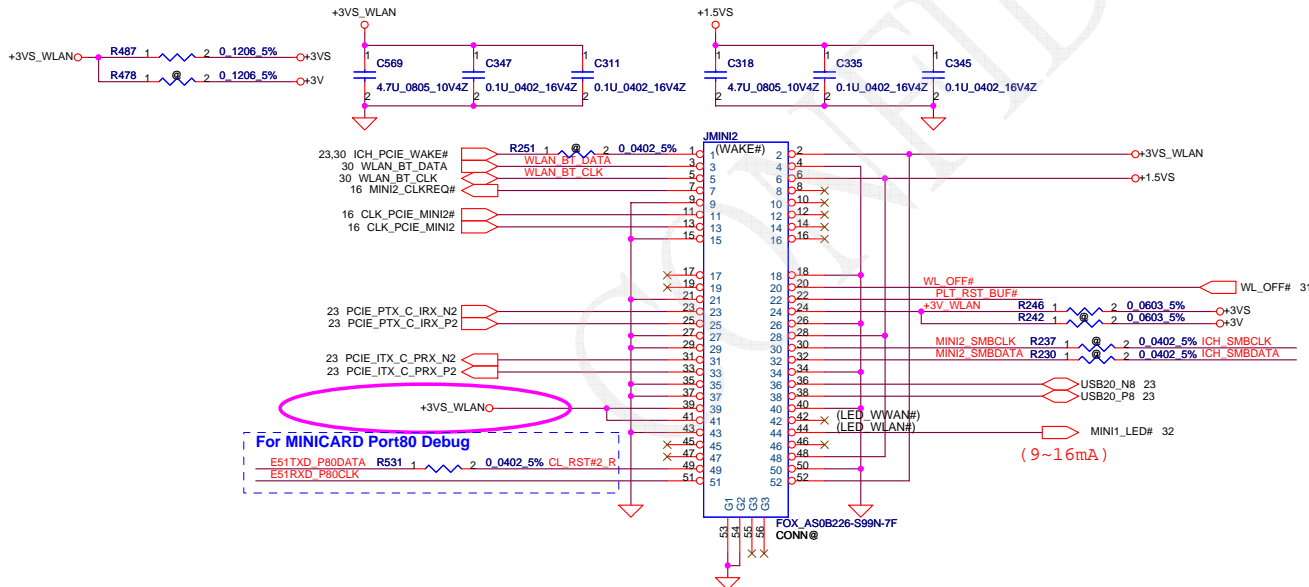
For Robson2



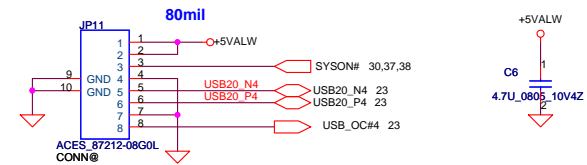
Power	Mini Card Power Rating	
	Primary Power (mA)	Auxiliary Power (mA)
+3VS	1000	750
+3V	330	250
+1.5VS	500	375

Normal (wake enable)
5 (Not wake enable)

For Wireless LAN

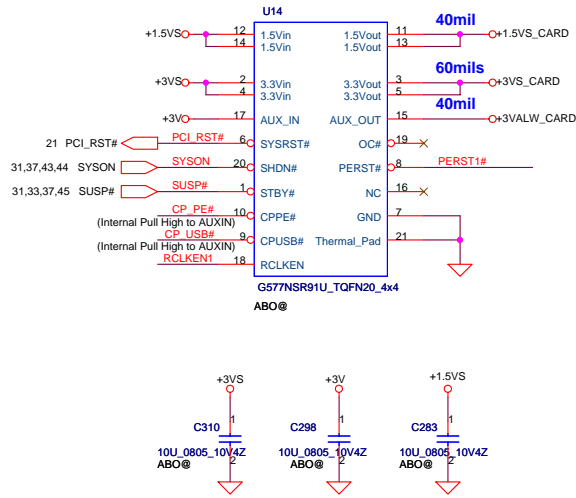


To USB/B Connector

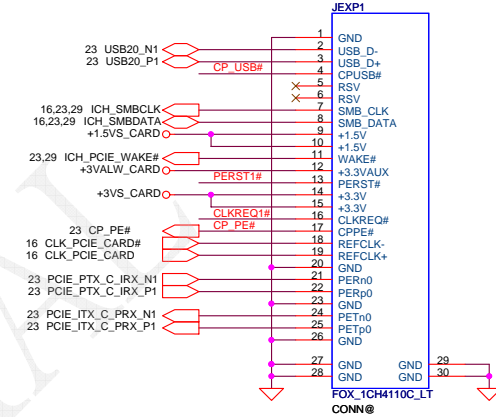


Security Classification	Compal Secret Data		Title	Compal Electronics, Inc.	
Issued Date	2007/09/20	Deciphered Date	2008/09/20	SCHEMATIC, LA-4201P	
THIS SHEET OF ENGINEERING DRAWING IS THE PROPRIETARY PROPERTY OF COMPAL ELECTRONICS, INC. AND CONTAINS CONFIDENTIAL AND TRADE SECRET INFORMATION. THIS SHEET MAY NOT BE TRANSFERRED FROM THE CUSTODY OF THE COMPETENT DIVISION OF R&D DEPARTMENT EXCEPT AS AUTHORIZED BY COMPAL ELECTRONICS, INC. NEITHER THIS SHEET NOR THE INFORMATION IT CONTAINS MAY BE USED BY OR DISCLOSED TO ANY THIRD PARTY WITHOUT PRIOR WRITTEN CONSENT OF COMPAL ELECTRONICS, INC.					
Document Number	401551		Rev	I	
Date:	Monday, July 21, 2008		Sheet	29 of 50	

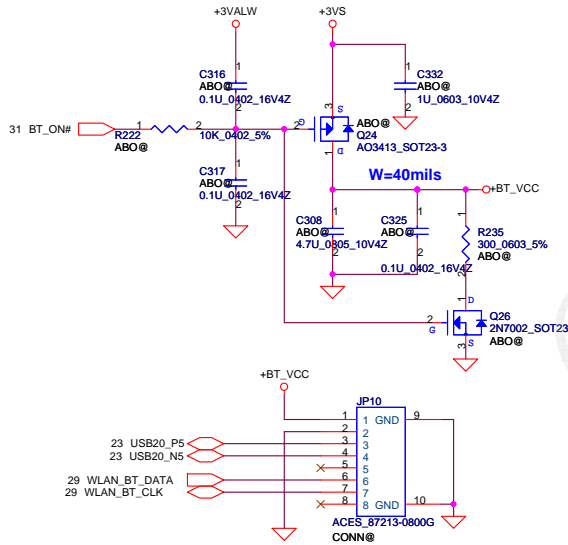
New Card Power Switch



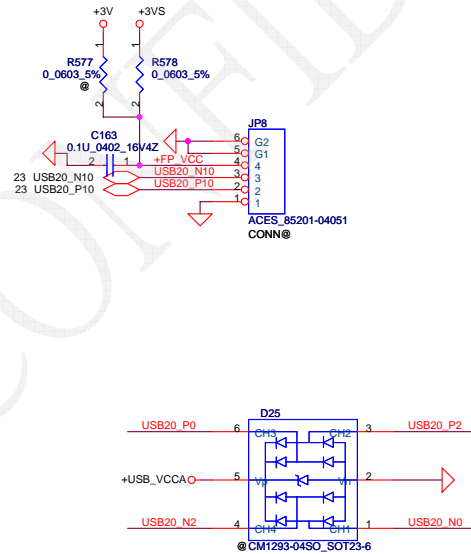
New Card Socket (Left/TOP)



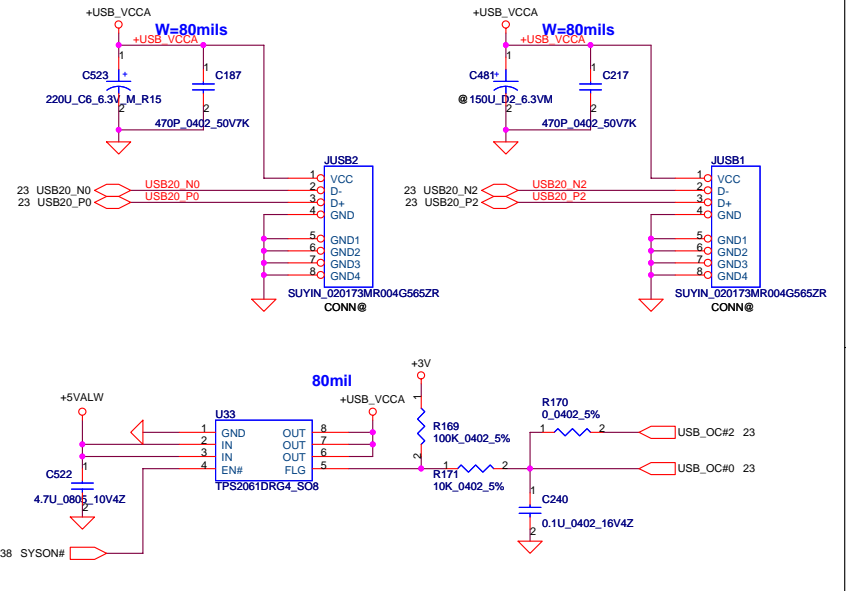
Bluetooth Conn.



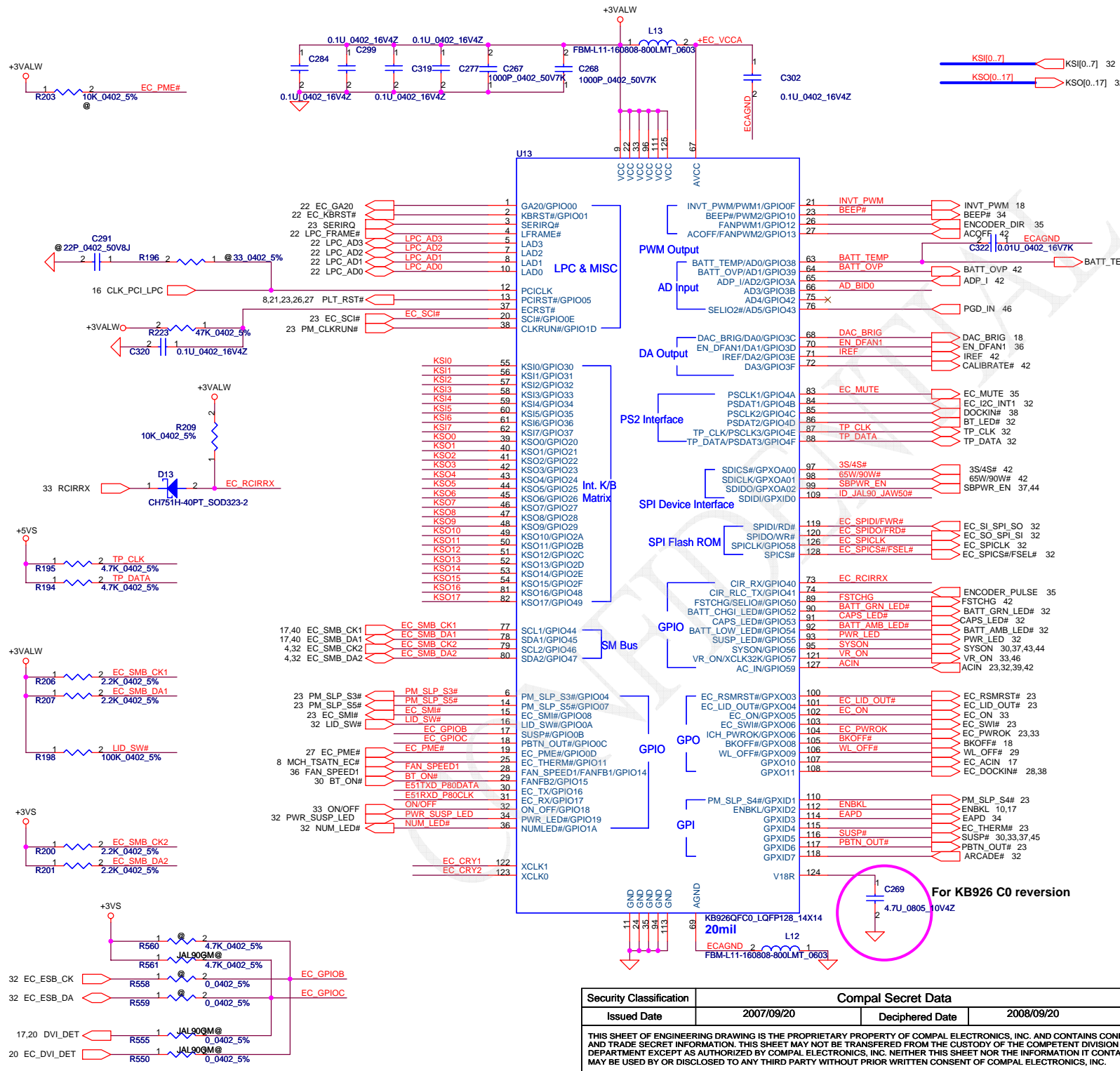
Finger Print Conn.



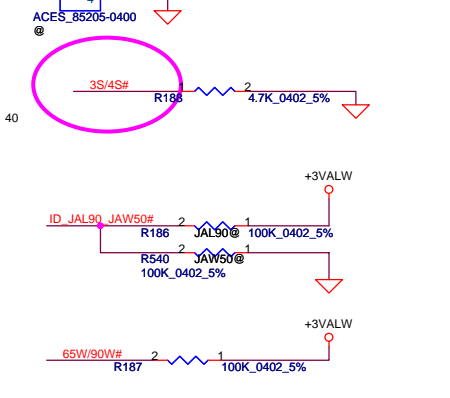
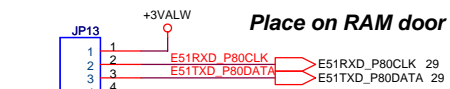
USB CONN. (Stack-up Type)



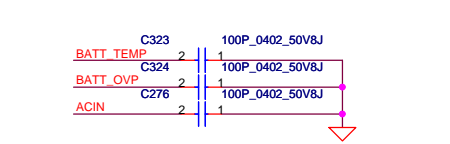
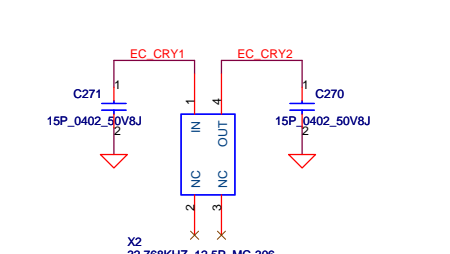
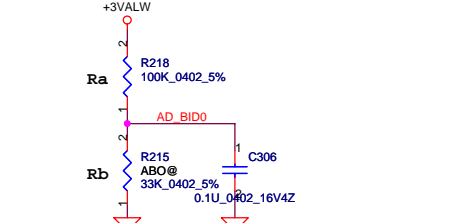
Security Classification	Compal Secret Data			Title	
Issued Date	2007/09/20	Deciphered Date	2008/09/20	Compal Electronics, Inc.	
THIS SHEET OF ENGINEERING DRAWING IS THE PROPRIETARY PROPERTY OF COMPAL ELECTRONICS, INC. AND CONTAINS CONFIDENTIAL AND TRADE SECRET INFORMATION. THIS SHEET MAY NOT BE TRANSFERRED FROM THE CUSTODY OF THE COMPETENT DIVISION OF R&D DEPARTMENT EXCEPT AS AUTHORIZED BY COMPAL ELECTRONICS, INC. NEITHER THIS SHEET NOR THE INFORMATION IT CONTAINS MAY BE USED BY OR DISCLOSED TO ANY THIRD PARTY WITHOUT PRIOR WRITTEN CONSENT OF COMPAL ELECTRONICS, INC.					
				Document Number	Rev
				401551	I
				Date: Monday, July 21, 2008	Sheet 30 of 50



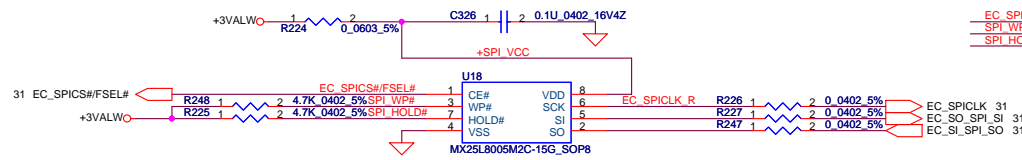
For EC Tools



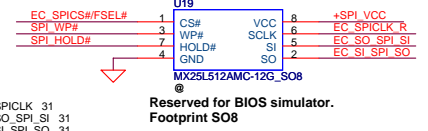
Analog Board ID definition, Please see page 3.



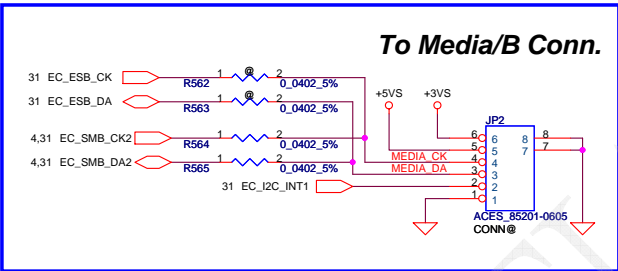
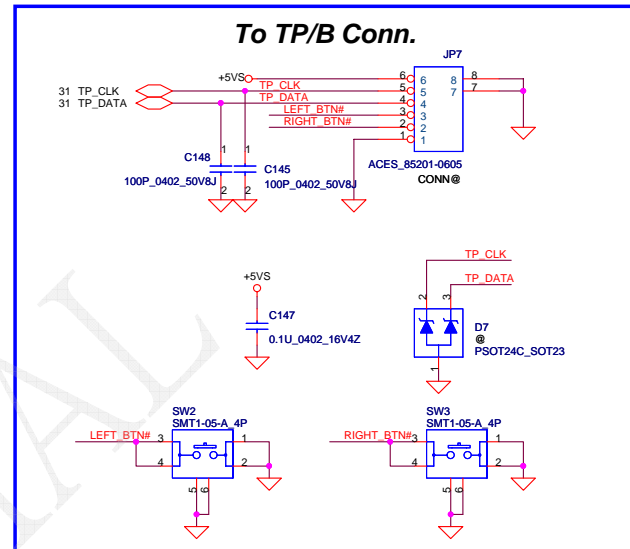
Security Classification		Compal Secret Data		Compal Electronics, Inc.	
Issued Date	2007/09/20	Deciphered Date	2008/09/20	Title	SCHEMATIC_LA-4201P
THIS SHEET OF ENGINEERING DRAWING IS THE PROPRIETARY PROPERTY OF COMPAL ELECTRONICS, INC. AND CONTAINS CONFIDENTIAL AND TRADE SECRET INFORMATION. THIS SHEET MAY NOT BE TRANSFERRED FROM THE CUSTODY OF THE COMPETENT DIVISION OF RESEARCH AND DEVELOPMENT EXCEPT AS AUTHORIZED BY COMPAL ELECTRONICS, INC. NEITHER THIS SHEET NOR THE INFORMATION IT CONTAINS MAY BE USED BY OR DISCLOSED TO ANY THIRD PARTY WITHOUT PRIOR WRITTEN CONSENT OF COMPAL ELECTRONICS, INC.					
Size	Document Number	Date	Monday, July 21, 2008	Sheet	31 of 50
B	401551				



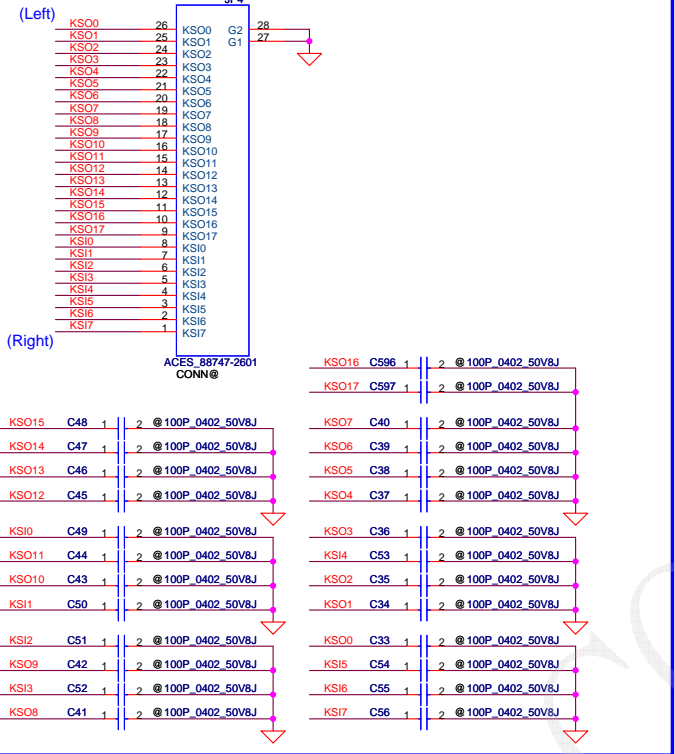
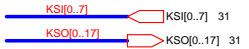
ENE suggestion SPI Frequency over 66MHz
 SST: 50MHz
 MXIC: 70MHz
 ST: 40MHz



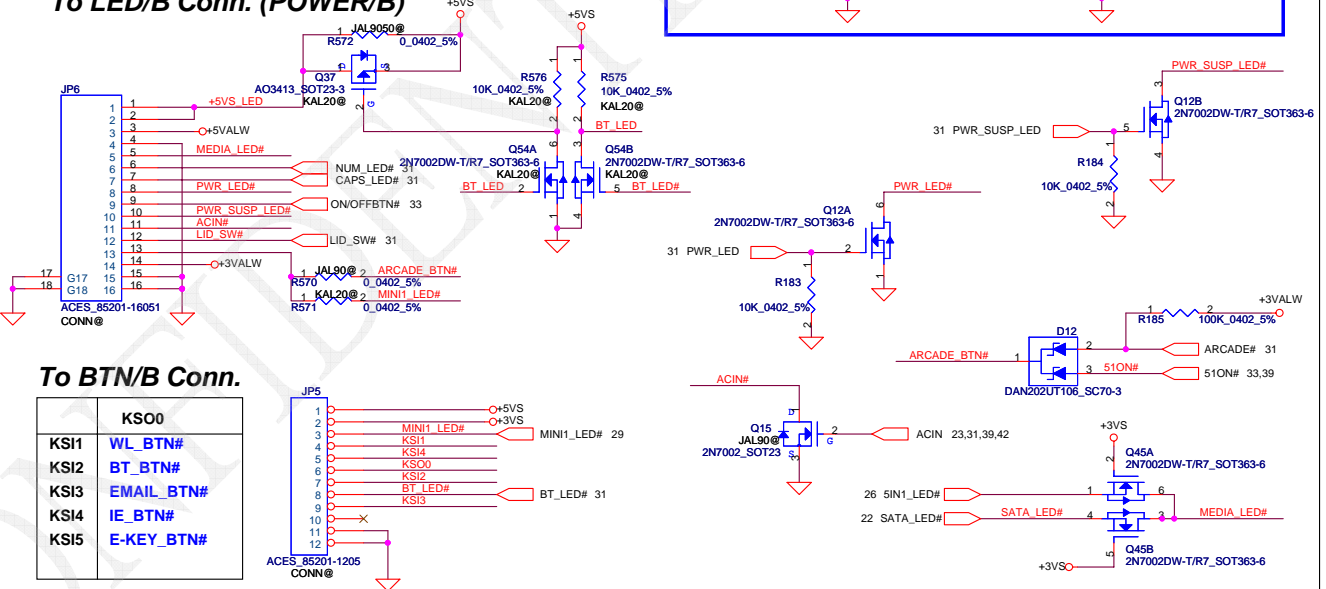
Reserved for BIOS simulator.
 Footprint SOB



INT_KBD Conn.

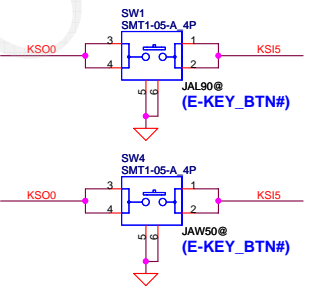


To LED/B Conn. (POWER/B)

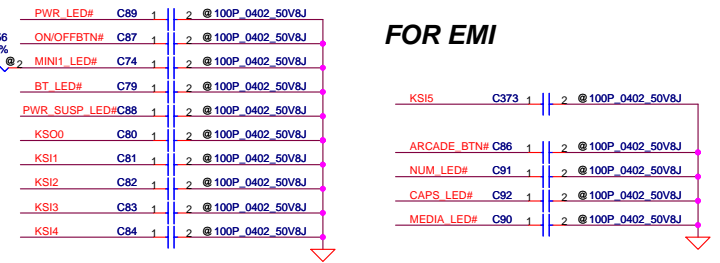


To BTN/B Conn.

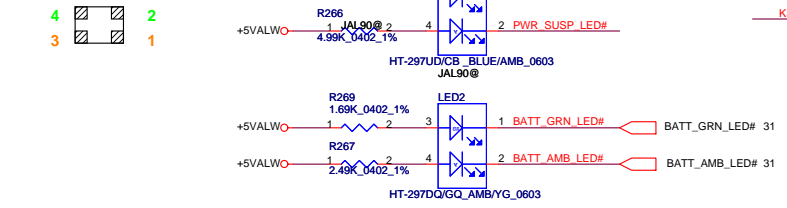
KSO0	KS00
KS11	WL_BTN#
KS12	BT_BTN#
KS13	EMAIL_BTN#
KS14	IE_BTN#
KS15	E-KEY_BTN#



FOR EMI



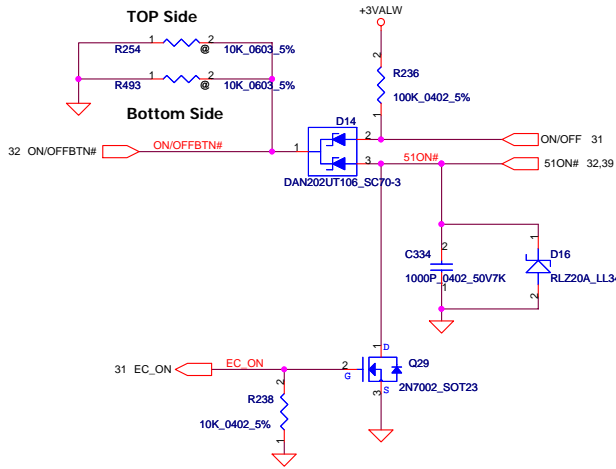
Compal Footprint



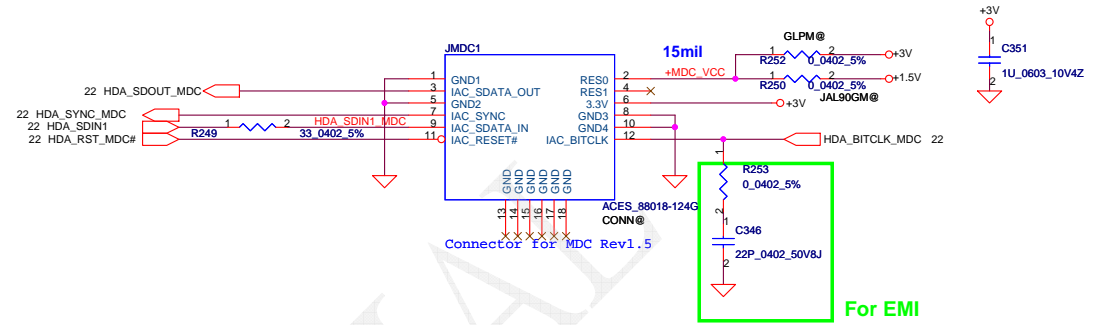
Security Classification	Compal Secret Data		Compal Electronics, Inc.	
Issued Date	2007/09/20	Deciphered Date	2008/09/20	Title
THIS SHEET OF ENGINEERING DRAWING IS THE PROPRIETARY PROPERTY OF COMPAL ELECTRONICS, INC. AND CONTAINS CONFIDENTIAL AND TRADE SECRET INFORMATION. THIS SHEET MAY NOT BE TRANSFERRED FROM THE CUSTODY OF THE COMPETENT DIVISION OF COMPAL ELECTRONICS, INC. NEITHER THIS SHEET NOR THE INFORMATION IT CONTAINS MAY BE USED BY OR DISCLOSED TO ANY THIRD PARTY WITHOUT PRIOR WRITTEN CONSENT OF COMPAL ELECTRONICS, INC.				Document Number
				401551
				Rev 1
Date:	Monday, July 21, 2008	Sheet	32	of 50

Power Button

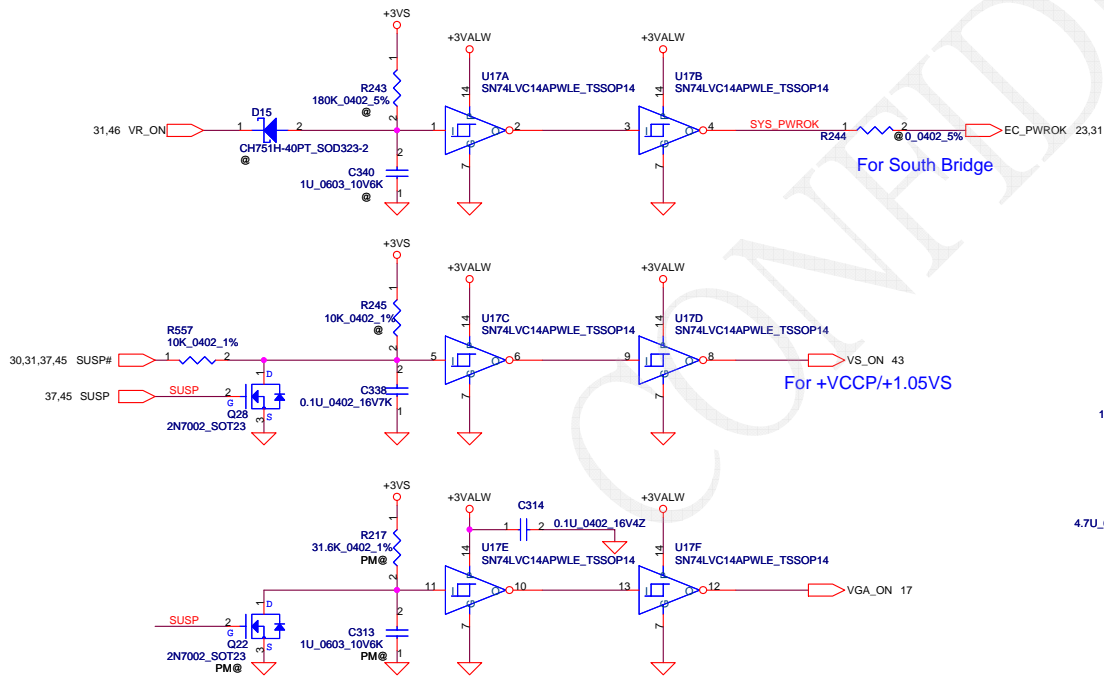
ON/OFF switch



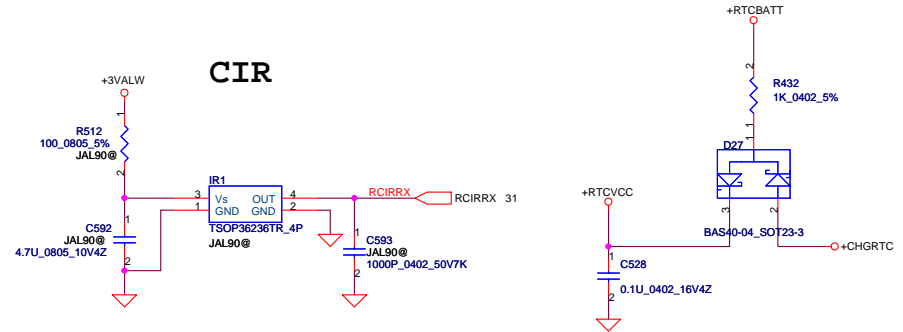
HDA MDC Conn.



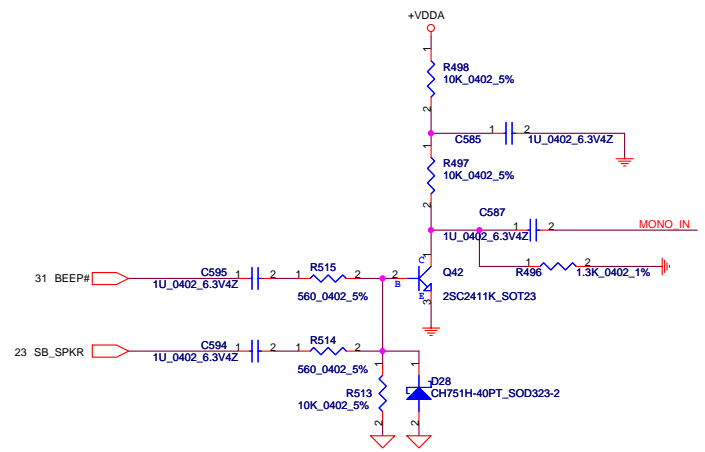
Power ON Circuit



CIR



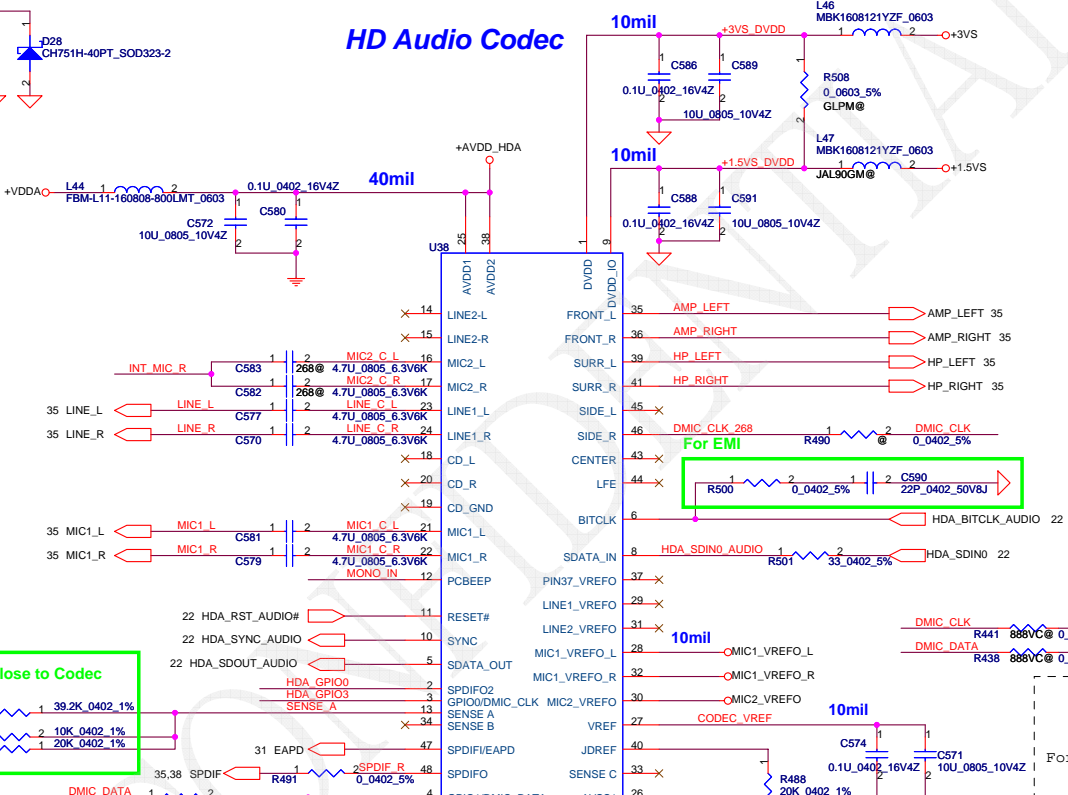
Security Classification	Compal Secret Data		Title	
Issued Date	2007/09/20	Deciphered Date	2008/09/20	Schematic, LA-4201P
THIS SHEET OF ENGINEERING DRAWING IS THE PROPRIETARY PROPERTY OF COMPAL ELECTRONICS, INC. AND CONTAINS CONFIDENTIAL AND TRADE SECRET INFORMATION. THIS SHEET MAY NOT BE TRANSFERRED FROM THE CUSTODY OF THE COMPETENT DIVISION OF R&D DEPARTMENT EXCEPT AS AUTHORIZED BY COMPAL ELECTRONICS, INC. NEITHER THIS SHEET NOR THE INFORMATION IT CONTAINS MAY BE USED BY OR DISCLOSED TO ANY THIRD PARTY WITHOUT PRIOR WRITTEN CONSENT OF COMPAL ELECTRONICS, INC.				
Document Number	401551			Rev I
Date:	Monday, July 21, 2008	Sheet	33	of 50



BOM Option

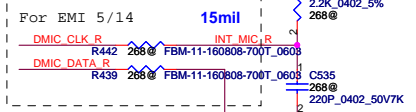
ALC268	268@
ALC888S-VB	888VB@
ALC888S-VC	888VC@

HD Audio Codec

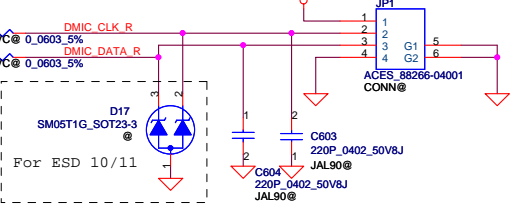


Place close to Codec

For EMI



Digital MIC



Sense Pin	Impedance	Codec Signals
SENSE A	39.2K	PORT-A (PIN 39, 41)
	20K	PORT-B (PIN 21, 22)
	10K	PORT-C (PIN 23, 24)
	5.1K	PORT-D (PIN 35, 36)
SENSE B	39.2K	PORT-E (PIN 14, 15)
	20K	PORT-F (PIN 16, 17)
	10K	PORT-G (PIN 43, 44)
	5.1K	PORT-H (PIN 45, 46)

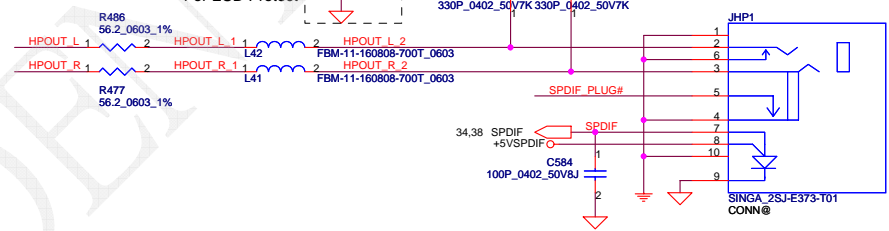
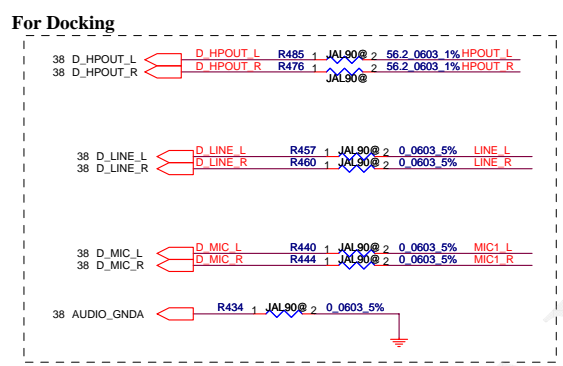
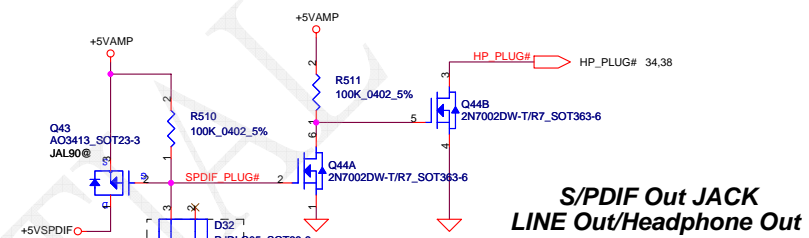
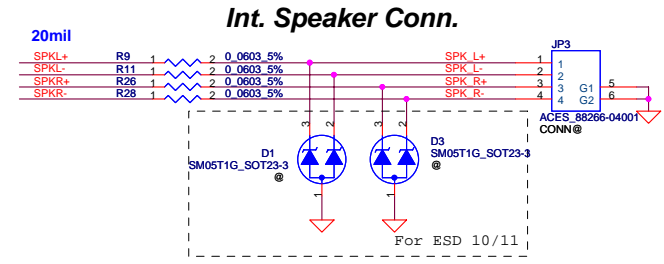
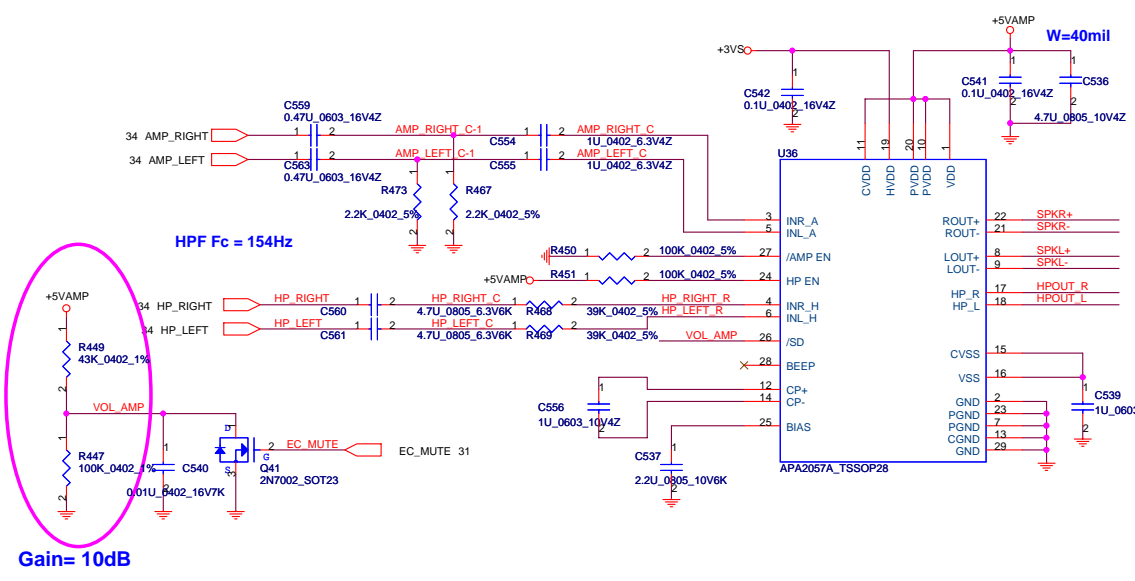
DGND

AGND

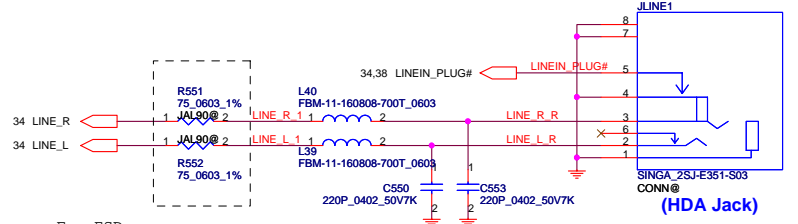
Security Classification	Compal Secret Data	
Issued Date	2007/09/20	Deciphered Date
		2008/09/20

THIS SHEET OF ENGINEERING DRAWING IS THE PROPRIETARY PROPERTY OF COMPAL ELECTRONICS, INC. AND CONTAINS CONFIDENTIAL AND TRADE SECRET INFORMATION. THIS SHEET MAY NOT BE TRANSFERRED FROM THE CUSTODY OF THE COMPETENT DIVISION OF COMPAL ELECTRONICS, INC. DEPARTMENT EXCEPT AS AUTHORIZED BY COMPAL ELECTRONICS, INC. NEITHER THIS SHEET NOR THE INFORMATION IT CONTAINS MAY BE USED BY OR DISCLOSED TO ANY THIRD PARTY WITHOUT PRIOR WRITTEN CONSENT OF COMPAL ELECTRONICS, INC.

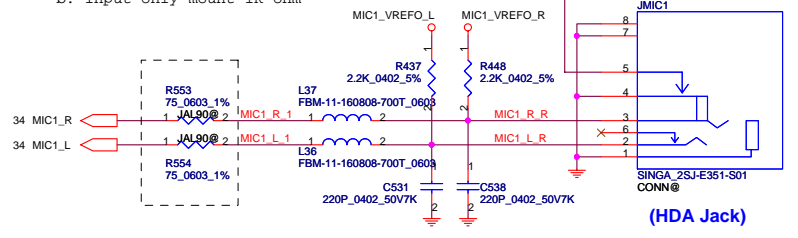
Compal Electronics, Inc.		
SCHEMATIC, LA-4201P		
Document Number	401551	Rev I
Date:	Monday, July 21, 2008	Sheet 34 of 50



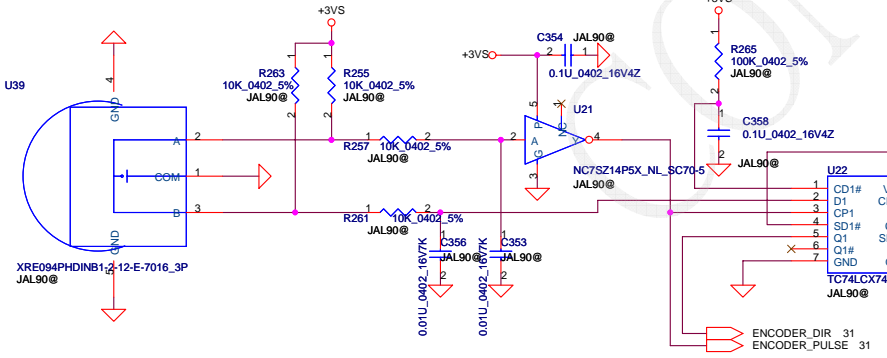
LINE-IN JACK



MIC JACK

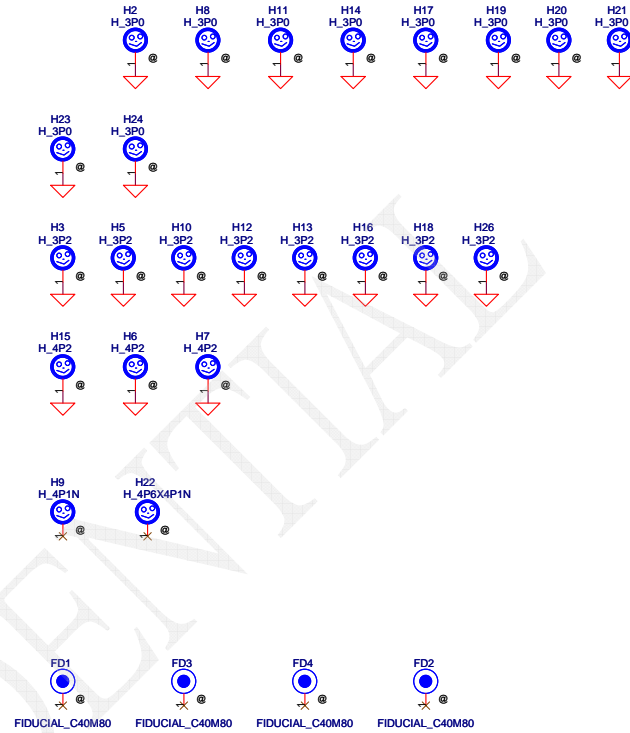
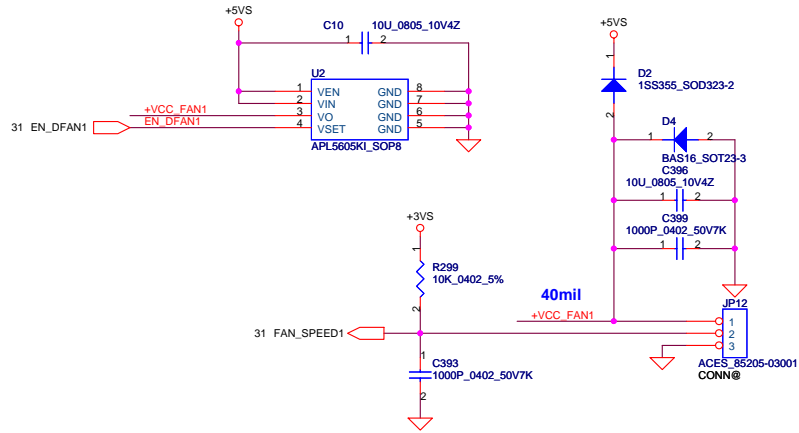


Volume Control Circuit

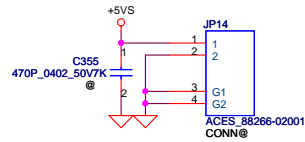


Security Classification		Compal Secret Data		Title	
Issued Date	2007/09/20	Deciphered Date	2008/09/20	Compal Electronics, Inc.	
THIS SHEET OF ENGINEERING DRAWING IS THE PROPRIETARY PROPERTY OF COMPAL ELECTRONICS, INC. AND CONTAINS CONFIDENTIAL AND TRADE SECRET INFORMATION. THIS SHEET MAY NOT BE TRANSFERRED FROM THE CUSTODY OF THE COMPETENT DIVISION OF COMPAL ELECTRONICS, INC. DEPARTMENT EXCEPT AS AUTHORIZED BY COMPAL ELECTRONICS, INC. NEITHER THIS SHEET NOR THE INFORMATION IT CONTAINS MAY BE USED BY OR DISCLOSED TO ANY THIRD PARTY WITHOUT PRIOR WRITTEN CONSENT OF COMPAL ELECTRONICS, INC.				Document Number	Rev
				401551	I
				Date: Monday, July 21, 2008	Sheet 35 of 50

FAN1 Conn

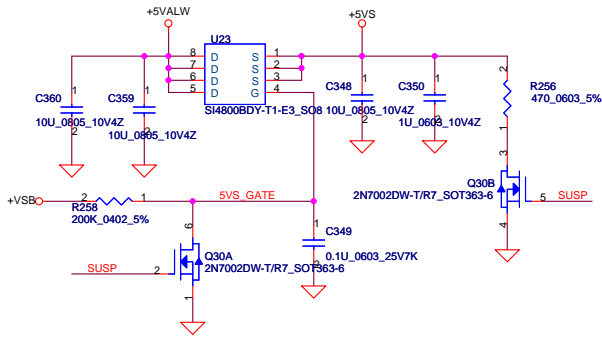


COVER LIGHT Conn

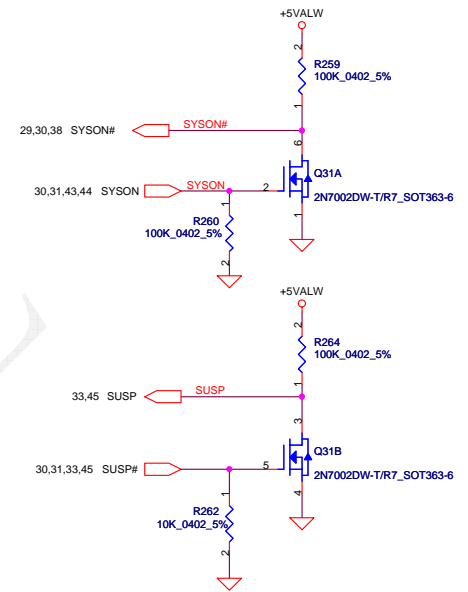
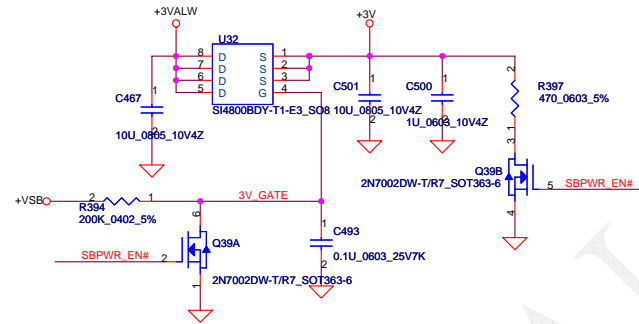


Security Classification	Compal Secret Data		Compal Electronics, Inc.	
Issued Date	2007/09/20	Deciphered Date	2008/09/20	Title
THIS SHEET OF ENGINEERING DRAWING IS THE PROPRIETARY PROPERTY OF COMPAL ELECTRONICS, INC. AND CONTAINS CONFIDENTIAL AND TRADE SECRET INFORMATION. THIS SHEET MAY NOT BE TRANSFERRED FROM THE CUSTODY OF THE COMPETENT DIVISION OF RESEARCH AND DEVELOPMENT EXCEPT AS AUTHORIZED BY COMPAL ELECTRONICS, INC. NEITHER THIS SHEET NOR THE INFORMATION IT CONTAINS MAY BE USED BY OR DISCLOSED TO ANY THIRD PARTY WITHOUT PRIOR WRITTEN CONSENT OF COMPAL ELECTRONICS, INC.				Document Number
				401551
Date: Monday, July 21, 2008				Rev I
Sheet 36 of 50				

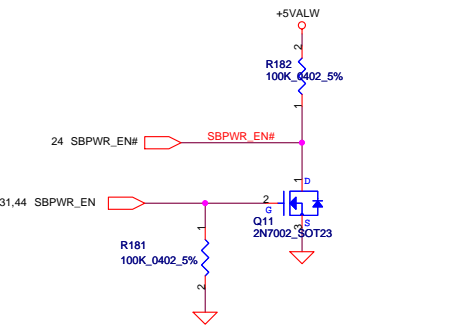
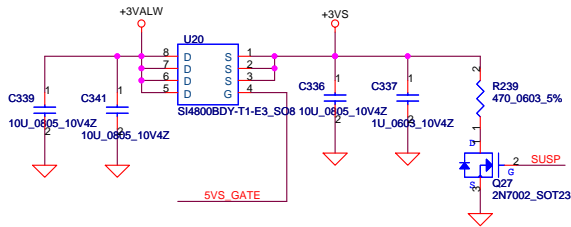
+5VALW TO +5VS



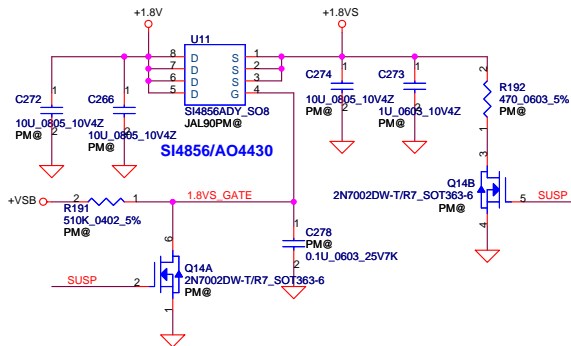
+3VALW TO +3V_SB(ICH8M AUX Power)



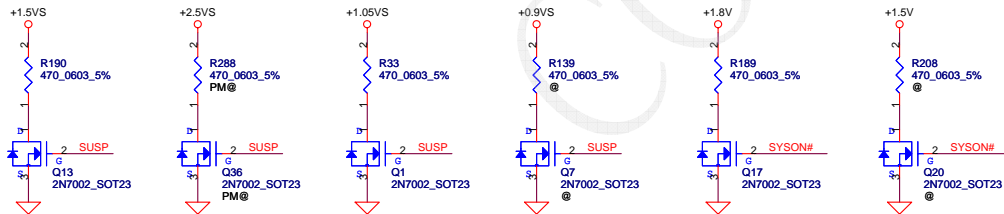
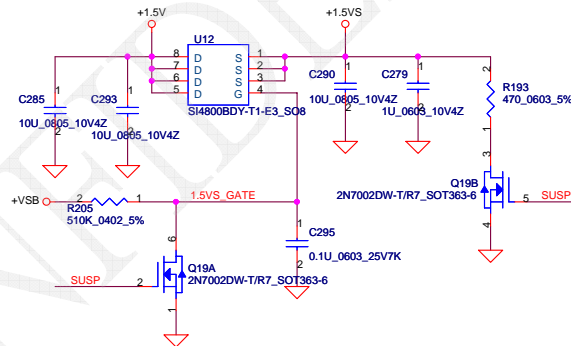
+3VALW TO +3VS



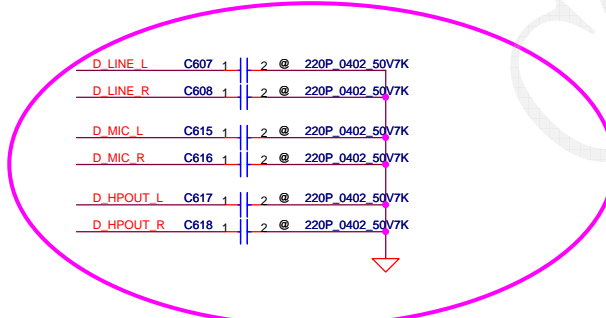
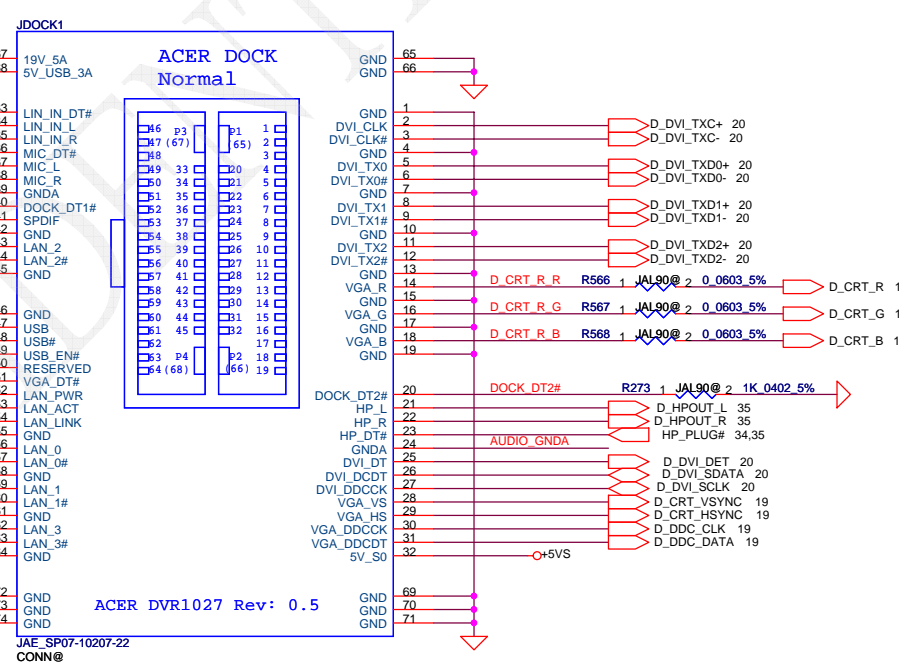
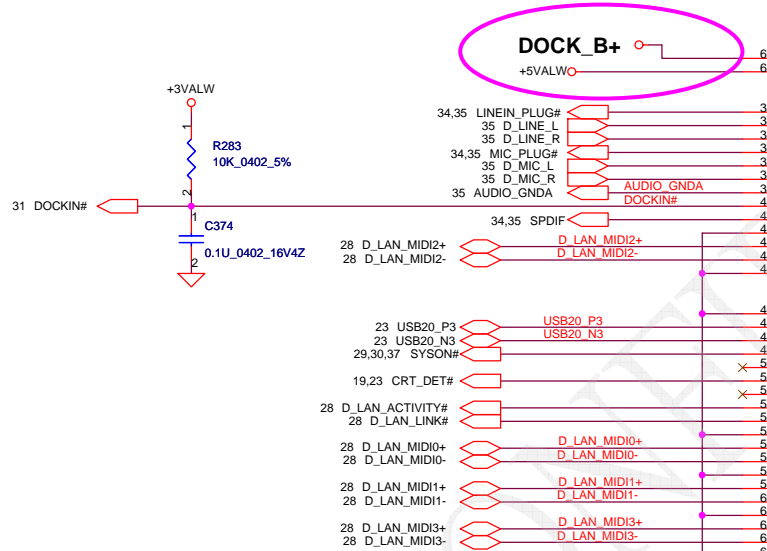
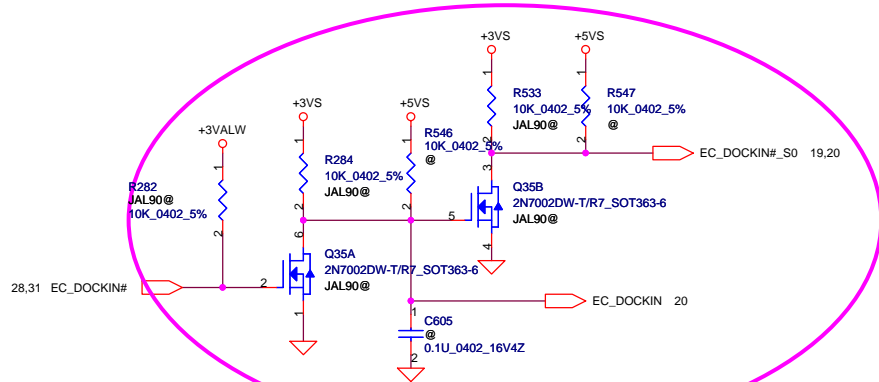
+1.8V to +1.8VS



+1.5V to +1.5VS

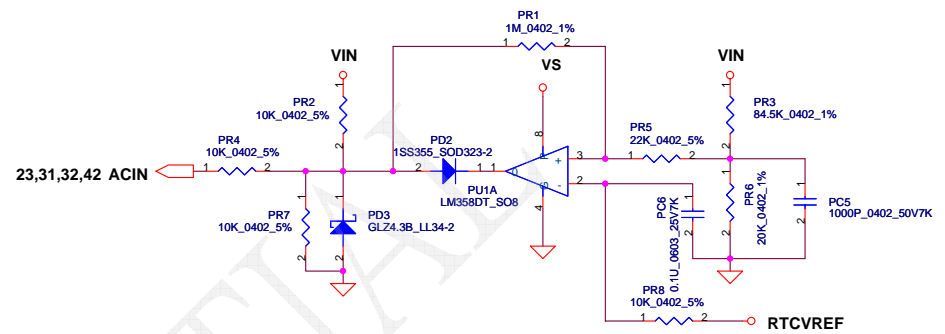
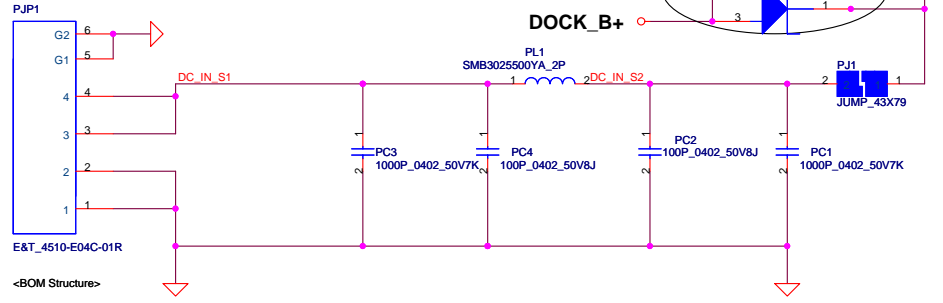


Security Classification	Compal Secret Data			Compal Electronics, Inc.	
Issued Date	2007/09/20	Deciphered Date	2008/09/20	Title	
THIS SHEET OF ENGINEERING DRAWING IS THE PROPRIETARY PROPERTY OF COMPAL ELECTRONICS, INC. AND CONTAINS CONFIDENTIAL AND TRADE SECRET INFORMATION. THIS SHEET MAY NOT BE TRANSFERRED FROM THE CUSTODY OF THE COMPETENT DIVISION OF R&D DEPARTMENT EXCEPT AS AUTHORIZED BY COMPAL ELECTRONICS, INC. NEITHER THIS SHEET NOR THE INFORMATION IT CONTAINS MAY BE USED BY OR DISCLOSED TO ANY THIRD PARTY WITHOUT PRIOR WRITTEN CONSENT OF COMPAL ELECTRONICS, INC.				Document Number	Rev
				401551	I
				Date: Monday, July 21, 2008	Sheet 37 of 50

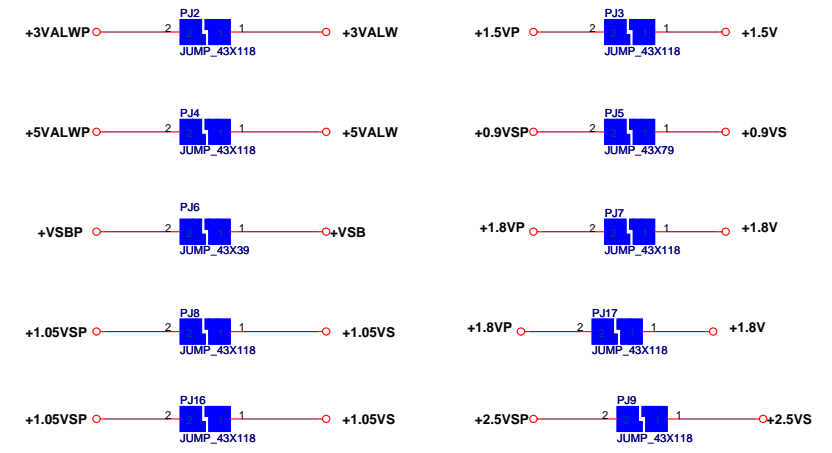
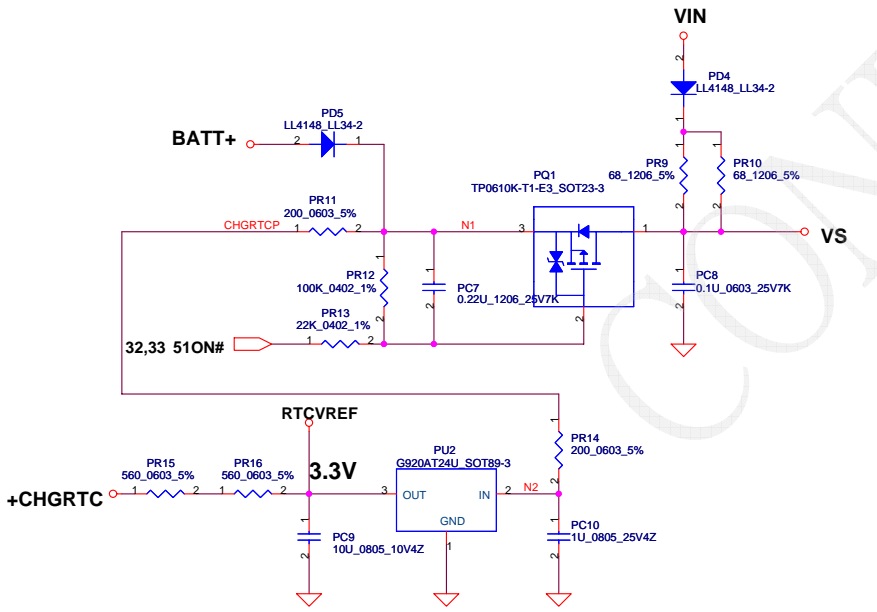
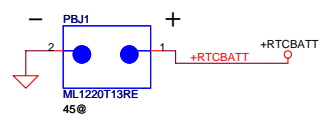


Security Classification		Compal Secret Data		Compal Electronics, Inc.	
Issued Date	2007/09/20	Deciphered Date	2008/09/20	Title	
THIS SHEET OF ENGINEERING DRAWING IS THE PROPRIETARY PROPERTY OF COMPAL ELECTRONICS, INC. AND CONTAINS CONFIDENTIAL AND TRADE SECRET INFORMATION. THIS SHEET MAY NOT BE TRANSFERRED FROM THE CUSTODY OF THE COMPETENT DIVISION OF R&D DEPARTMENT EXCEPT AS AUTHORIZED BY COMPAL ELECTRONICS, INC. NEITHER THIS SHEET NOR THE INFORMATION IT CONTAINS MAY BE USED BY OR DISCLOSED TO ANY THIRD PARTY WITHOUT PRIOR WRITTEN CONSENT OF COMPAL ELECTRONICS, INC.				Document Number	Rev
				401551	1
Date: Monday, July 21, 2008				Sheet	38 of 50

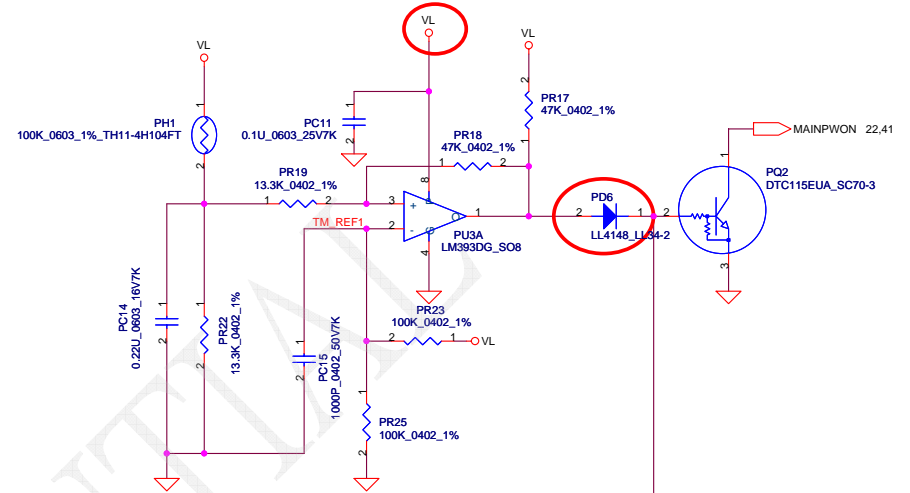
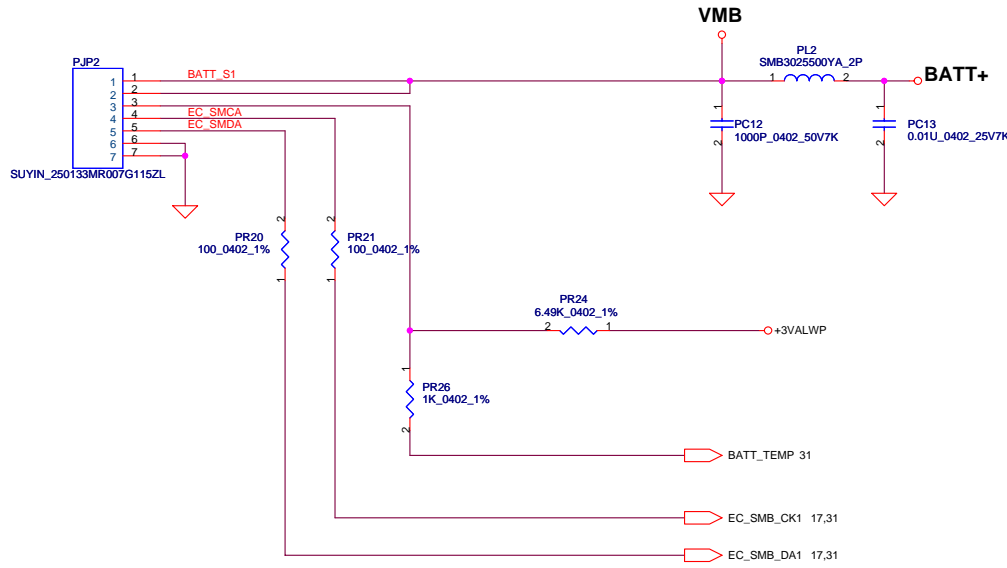
SP02000EF00



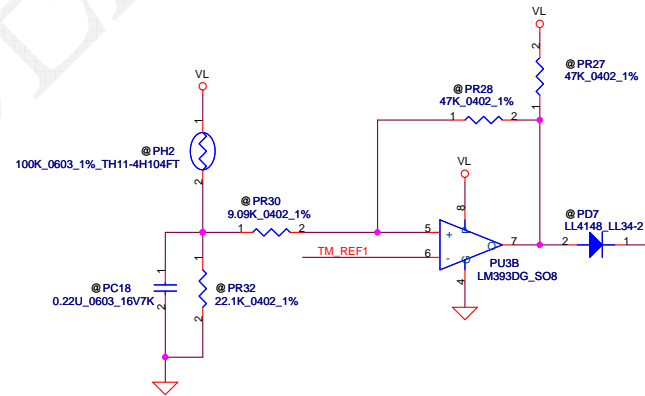
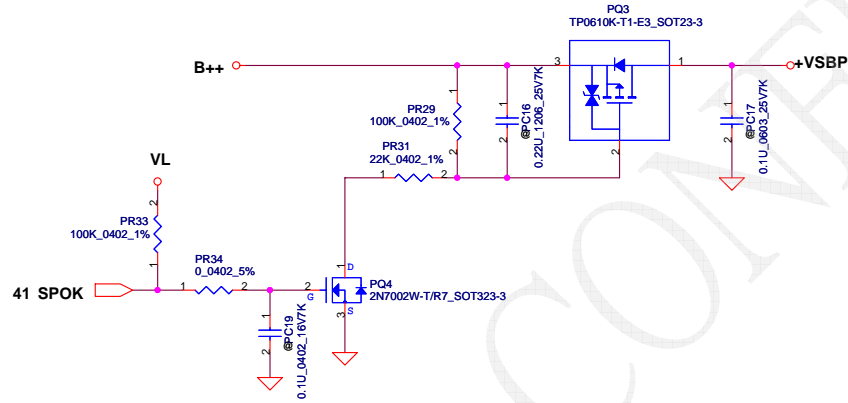
Vin Detector			
	Min.	Typ	Max.
H-->L	16.976V	17.525V	17.728V
L-->H	17.430V	17.901V	18.384V



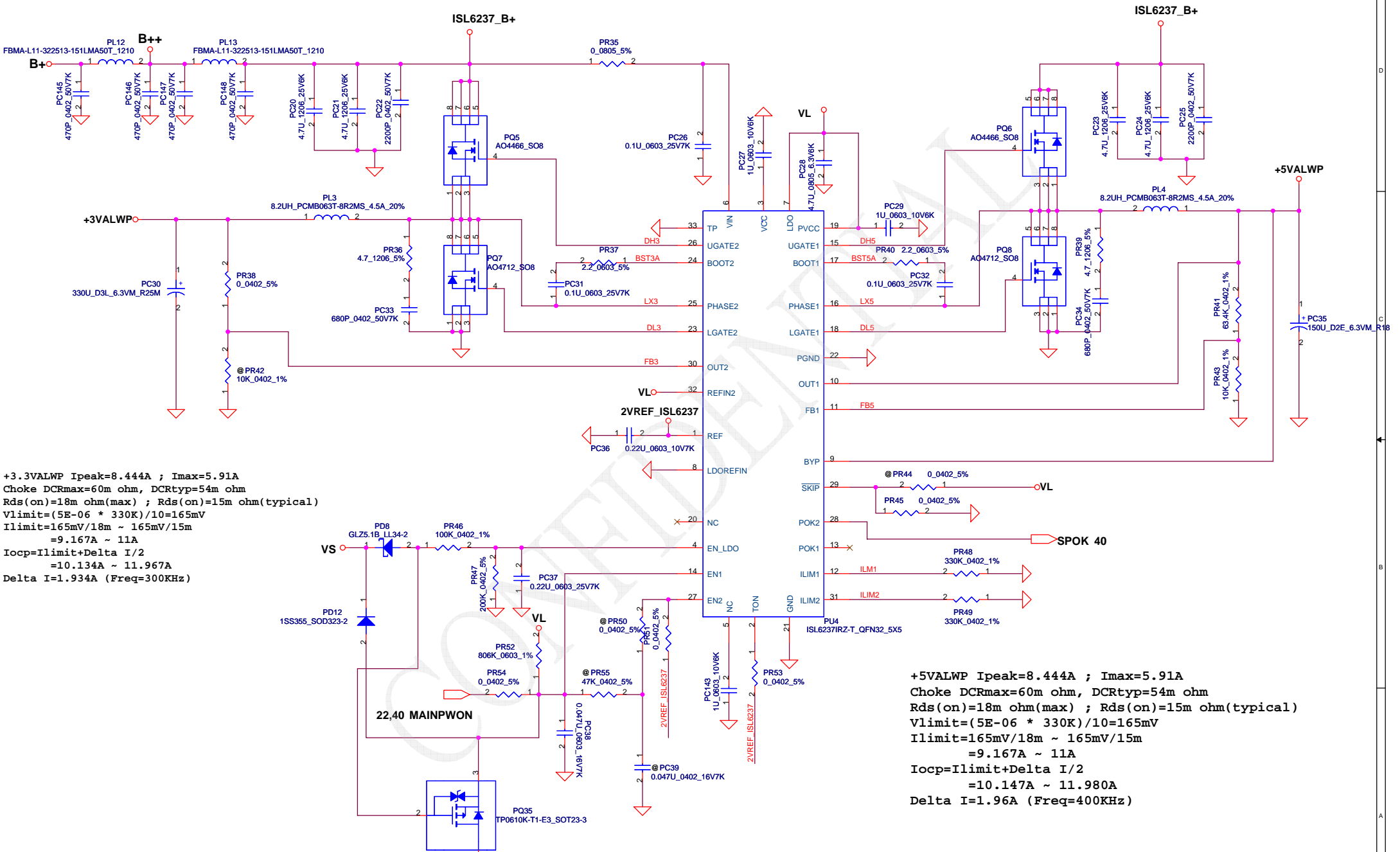
PH1 under CPU botten side :
 CPU thermal protection at 96 degree C
 Recovery at 60 degree C



PH2 near main Battery CONN :
 BAT. thermal protection at 79 degree C
 Recovery at 47 degree C



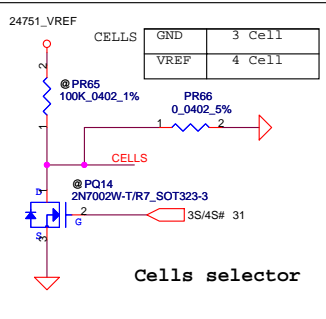
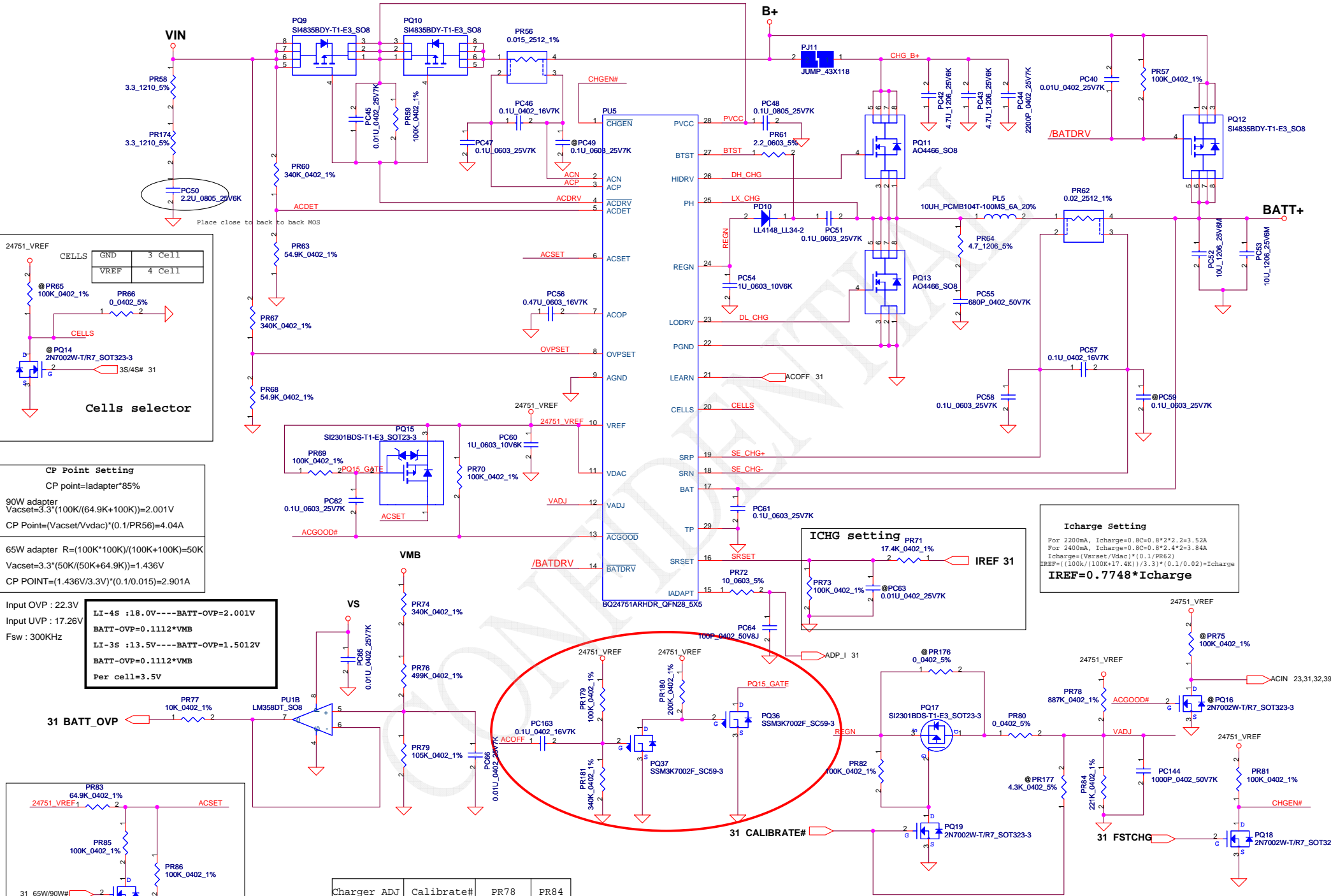
Security Classification	Compal Secret Data			Compal Electronics, Inc.	
Issued Date	2007/09/20	Deciphered Date	2008/09/20	Title	SCHMATIC,LA-4201P
THIS SHEET OF ENGINEERING DRAWING IS THE PROPRIETARY PROPERTY OF COMPAL ELECTRONICS, INC. AND CONTAINS CONFIDENTIAL AND TRADE SECRET INFORMATION. THIS SHEET MAY NOT BE TRANSFERRED FROM THE CUSTODY OF THE COMPETENT DIVISION OF R&D DEPARTMENT EXCEPT AS AUTHORIZED BY COMPAL ELECTRONICS, INC. NEITHER THIS SHEET NOR THE INFORMATION IT CONTAINS MAY BE USED BY OR DISCLOSED TO ANY THIRD PARTY WITHOUT PRIOR WRITTEN CONSENT OF COMPAL ELECTRONICS, INC.					Rev 1
				Date: Monday, July 21, 2008	Sheet 40 of 50



+3.3VALWP Ipeak=8.444A ; Imax=5.91A
 Choke DCRmax=60m ohm, DCRtyp=54m ohm
 Rds(on)=18m ohm(max) ; Rds(on)=15m ohm(typical)
 Vlimit=(5E-06 * 330K)/10=165mV
 Ilimit=165mV/18m ~ 165mV/15m
 =9.167A ~ 11A
 Iocp=Ilimit+Delta I/2
 =10.134A ~ 11.967A
 Delta I=1.934A (Freq=300KHz)

+5VALWP Ipeak=8.444A ; Imax=5.91A
 Choke DCRmax=60m ohm, DCRtyp=54m ohm
 Rds(on)=18m ohm(max) ; Rds(on)=15m ohm(typical)
 Vlimit=(5E-06 * 330K)/10=165mV
 Ilimit=165mV/18m ~ 165mV/15m
 =9.167A ~ 11A
 Iocp=Ilimit+Delta I/2
 =10.147A ~ 11.980A
 Delta I=1.96A (Freq=400KHz)

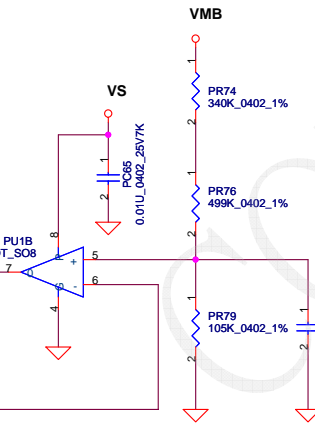
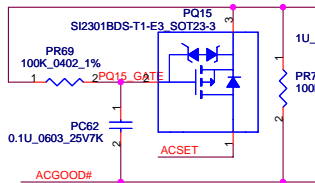
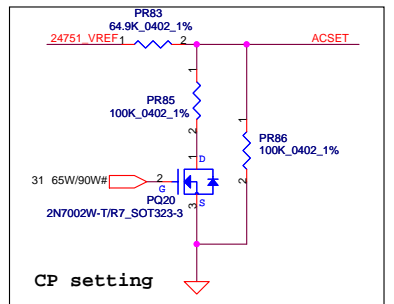
Security Classification		Compal Secret Data		Compal Electronics, Inc.	
Issued Date	2007/09/20	Deciphered Date	2008/09/20	Title	
THIS SHEET OF ENGINEERING DRAWING IS THE PROPRIETARY PROPERTY OF COMPAL ELECTRONICS, INC. AND CONTAINS CONFIDENTIAL AND TRADE SECRET INFORMATION. THIS SHEET MAY NOT BE TRANSFERRED FROM THE CUSTODY OF THE COMPETENT DIVISION OF R&D DEPARTMENT EXCEPT AS AUTHORIZED BY COMPAL ELECTRONICS, INC. NEITHER THIS SHEET NOR THE INFORMATION IT CONTAINS MAY BE USED BY OR DISCLOSED TO ANY THIRD PARTY WITHOUT PRIOR WRITTEN CONSENT OF COMPAL ELECTRONICS, INC.				Document Number	Rev
				401551	1
Date: Monday, July 21, 2008				Sheet	41 of 50



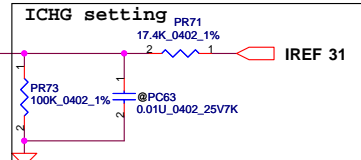
CP Point Setting
 CP point=ladapter*85%
 90W adapter
 $V_{acset}=3.3 \cdot (100K / (64.9K + 100K)) = 2.001V$
 $CP\ Point = (V_{acset} / V_{dadc}) \cdot (0.1 / PR56) = 4.04A$
 65W adapter $R = (100K \cdot 100K) / (100K + 100K) = 50K$
 $V_{acset} = 3.3 \cdot (50K / (50K + 64.9K)) = 1.436V$
 $CP\ POINT = (1.436V / 3.3V) \cdot (0.1 / 0.015) = 2.901A$

Input OVP : 22.3V
 Input UVP : 17.26V
 Fsw : 300KHz

LI-4S : 18.0V --- BATT-OVP=2.001V
 BATT-OVP=0.1112 * VMB
 LI-3S : 13.5V --- BATT-OVP=1.5012V
 BATT-OVP=0.1112 * VMB
 Per cell=3.5V



Charger ADJ	Calibrate#	PR78	PR84
4.0V	L	@	@
4.1V	L	887K	221K
4.2V	H	@	@



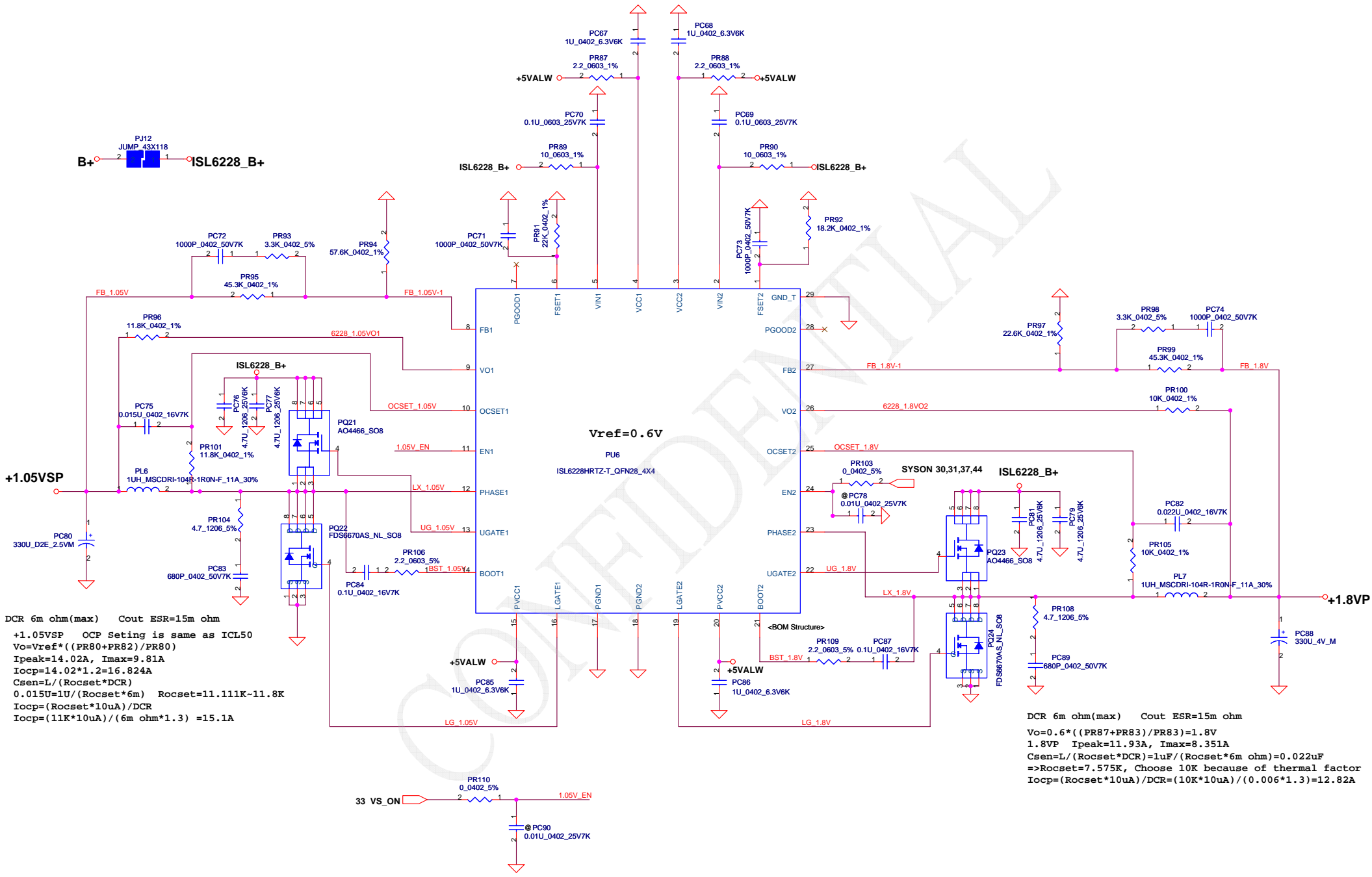
Icharge Setting
 For 2200mA, Icharge=0.8C=0.8*2.2=3.52A
 For 2400mA, Icharge=0.8C=0.8*2.4=3.84A
 $I_{charge} = (V_{acset} / V_{dadc}) \cdot (0.1 / PR62)$
 $IREF = ((100K / (100K + 17.4K)) / 3.3) \cdot (0.1 / 0.02) = I_{charge}$
IREF=0.7748 * Icharge

Security Classification
 Issued Date: 2007/09/20
 Deciphered Date: 2008/09/20

Compal Secret Data

THIS SHEET OF ENGINEERING DRAWING IS THE PROPRIETARY PROPERTY OF COMPAL ELECTRONICS, INC. AND CONTAINS CONFIDENTIAL AND TRADE SECRET INFORMATION. THIS SHEET MAY NOT BE TRANSFERRED FROM THE CUSTODY OF THE COMPETENT DIVISION OF R&D DEPARTMENT EXCEPT AS AUTHORIZED BY COMPAL ELECTRONICS, INC. NEITHER THIS SHEET NOR THE INFORMATION IT CONTAINS MAY BE USED BY OR DISCLOSED TO ANY THIRD PARTY WITHOUT PRIOR WRITTEN CONSENT OF COMPAL ELECTRONICS, INC.

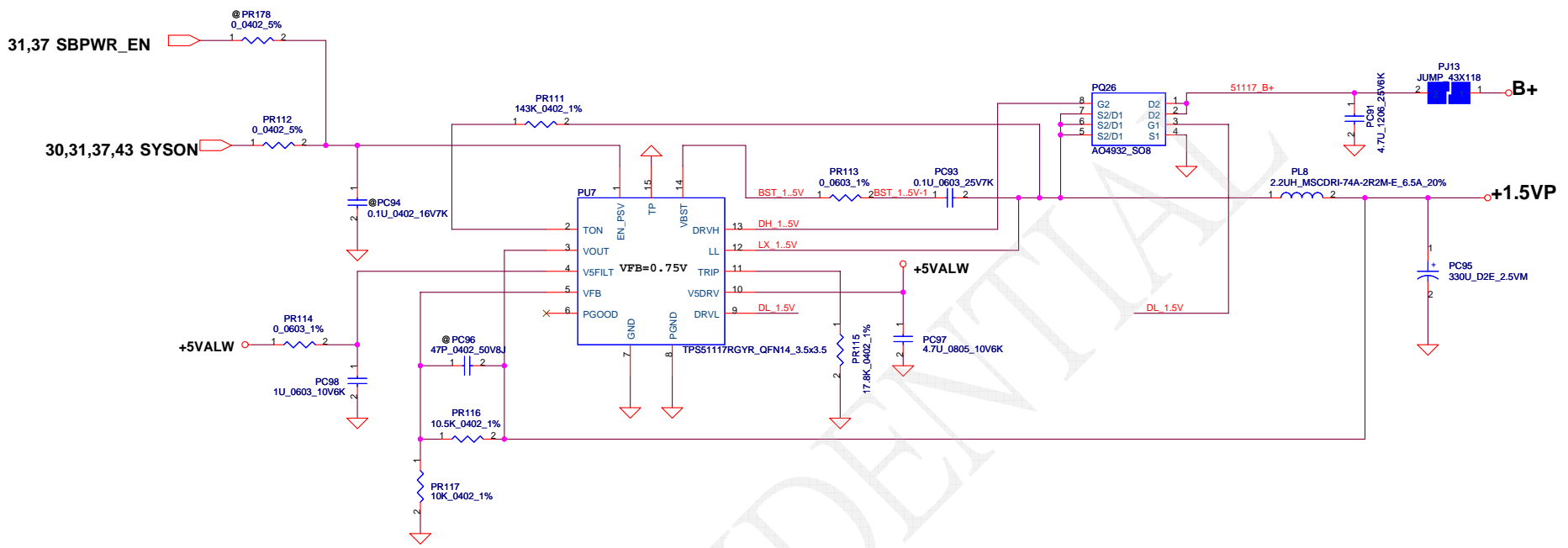
Compal Electronics, Inc.
SCHEMATIC,LA-4201P
 Title: SCHEMATIC,LA-4201P
 Document Number: 401551
 Date: Monday, July 21, 2008
 Sheet: 42 of 50



DCR 6m ohm(max) Cout ESR=15m ohm
 $V_o = V_{ref} * ((PR80 + PR82) / PR80)$
 $I_{peak} = 14.02A$, $I_{max} = 9.81A$
 $I_{ocp} = 14.02 * 1.2 = 16.824A$
 $C_{sen} = L / (Rocset * DCR)$
 $0.015u = 1u / (Rocset * 6m)$ Rocset = 11.111K - 11.8K
 $I_{ocp} = (Rocset * 10uA) / DCR$
 $I_{ocp} = (11K * 10uA) / (6m ohm * 1.3) = 15.1A$

DCR 6m ohm(max) Cout ESR=15m ohm
 $V_o = 0.6 * ((PR87 + PR83) / PR83) = 1.8V$
 $1.8VP$ $I_{peak} = 11.93A$, $I_{max} = 8.351A$
 $C_{sen} = L / (Rocset * DCR) = 1uF / (Rocset * 6m ohm) = 0.022uF$
 $\Rightarrow Rocset = 7.575K$, Choose 10K because of thermal factor
 $I_{ocp} = (Rocset * 10uA) / DCR = (10K * 10uA) / (0.006 * 1.3) = 12.82A$

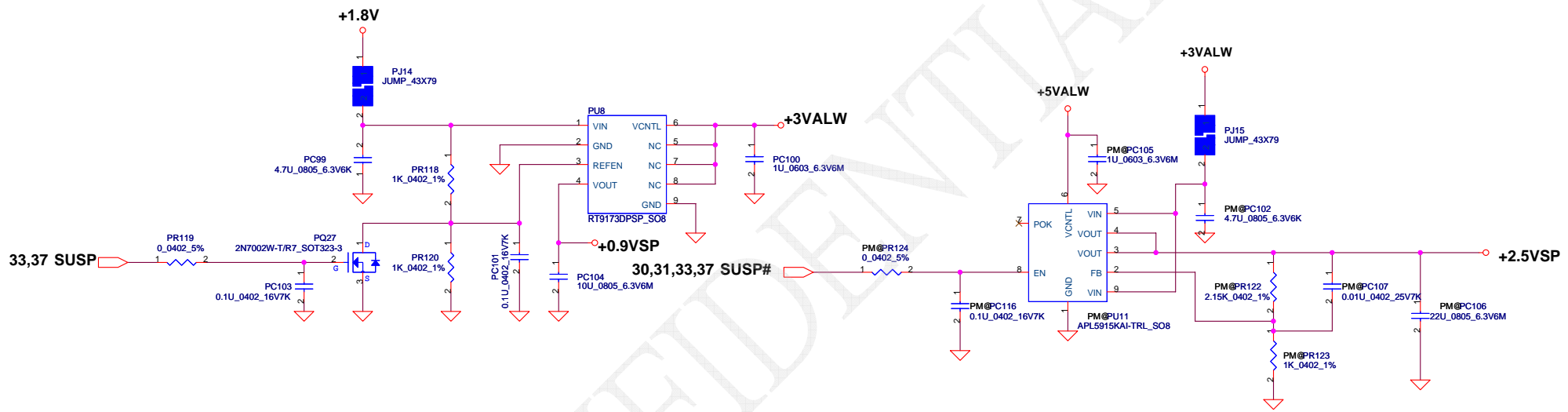
Security Classification		Compal Secret Data		Compal Electronics, Inc.	
Issued Date	2007/09/20	Deciphered Date	2008/09/20	Title	SCHEMATIC_LA-4201P
THIS SHEET OF ENGINEERING DRAWING IS THE PROPRIETARY PROPERTY OF COMPAL ELECTRONICS, INC. AND CONTAINS CONFIDENTIAL AND TRADE SECRET INFORMATION. THIS SHEET MAY NOT BE TRANSFERRED FROM THE CUSTODY OF THE COMPETENT DIVISION OF R&D DEPARTMENT EXCEPT AS AUTHORIZED BY COMPAL ELECTRONICS, INC. NEITHER THIS SHEET NOR THE INFORMATION IT CONTAINS MAY BE USED BY OR DISCLOSED TO ANY THIRD PARTY WITHOUT PRIOR WRITTEN CONSENT OF COMPAL ELECTRONICS, INC.					
Customer	401551	Document Number		Rev	1
Date	Monday, July 21, 2008	Sheet	43	of	50



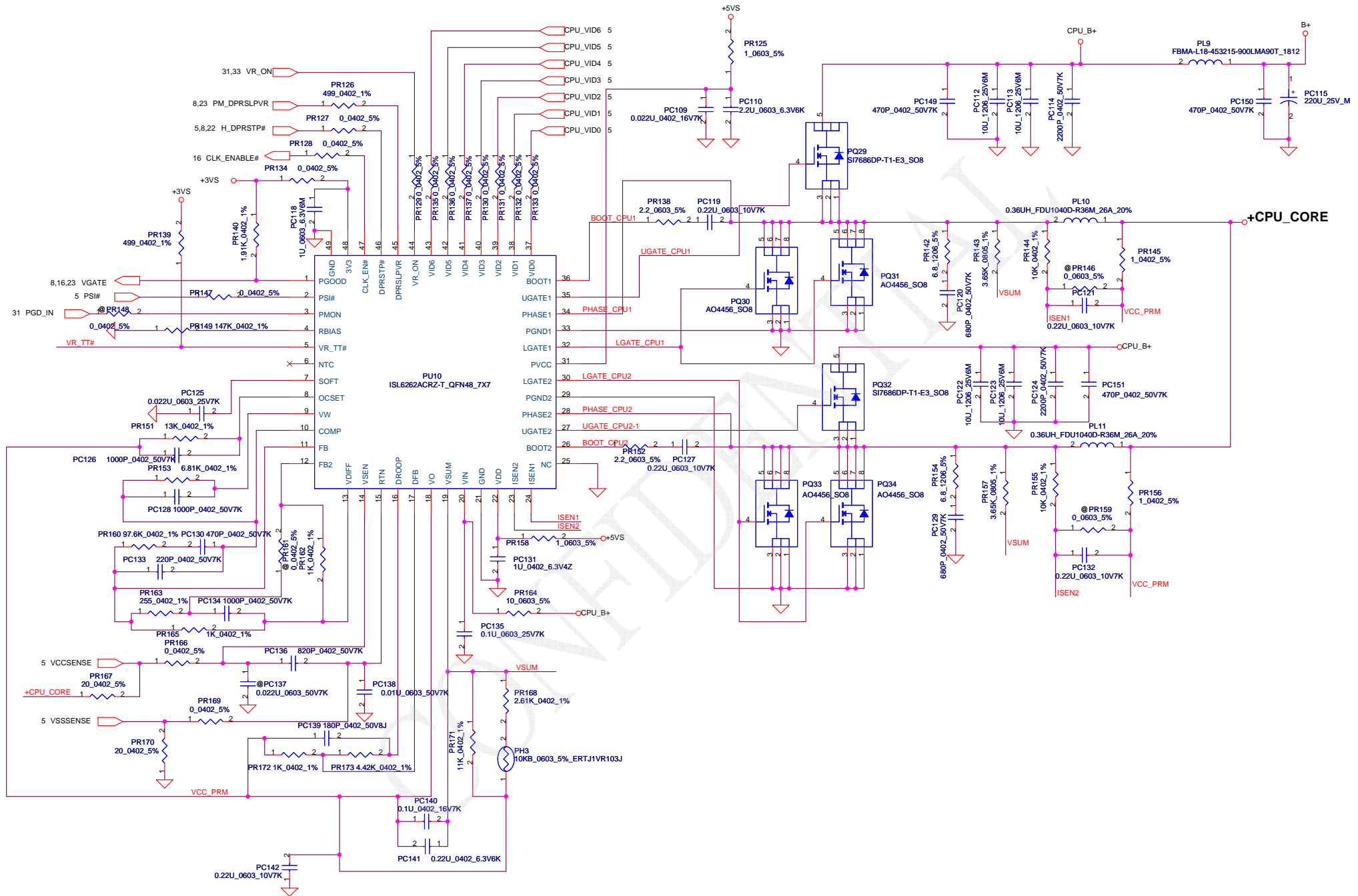
VFB=0.75V
 $V_o = V_{FB} * (1 + PR87 / PR88) = 0.75 * (1 + 10K / 10K) = 1.5V$
 $Ton = 19 * e^{-1.2 * 143000} * ((2/3) * V_o + 100mV) / 19 + 50ns$
 $= 2.645e-7 \text{ us}$
 $=> V_o / V_{in} = D = Ton / T_s => T_s = 3.35us$
 $Fsw = 298KHz$

Cout ESR=15m ohm
 $I_{peak} = 4.71A, I_{max} = 3.297A, I_{ocp} = 5.652A$
 $\Delta I = ((19 - 1.5) * (1.5 / 19)) / (L * Fsw) = 2.107A$
 $=> 1/2 \Delta I = 1.053A$
 $V_{trip} = R_{trip} * I_{ocp} = 17.8K * 10uA = 0.178V$
 $I_{ocpmin} = V_{trip} / R_{dsonmax} * 1.2 + 1.053A$
 $= 0.178 / (0.027 * 1.2) + 1.053 = 5.493A + 1.053A = 6.546A$
 $I_{ocpmax} = (0.178 / (0.021 * 1.1)) + 1.053A = 7.705A + 1.053A$
 $= 8.758A$
 $I_{ocp} = 6.546A - 8.758A$

Security Classification	Compal Secret Data		Compal Electronics, Inc.	
Issued Date	2007/09/20	Deciphered Date	2008/09/20	Title
THIS SHEET OF ENGINEERING DRAWING IS THE PROPRIETARY PROPERTY OF COMPAL ELECTRONICS, INC. AND CONTAINS CONFIDENTIAL AND TRADE SECRET INFORMATION. THIS SHEET MAY NOT BE TRANSFERRED FROM THE CUSTODY OF THE COMPETENT DIVISION OF RESEARCH AND DEVELOPMENT DEPARTMENT EXCEPT AS AUTHORIZED BY COMPAL ELECTRONICS, INC. NEITHER THIS SHEET NOR THE INFORMATION IT CONTAINS MAY BE USED BY OR DISCLOSED TO ANY THIRD PARTY WITHOUT PRIOR WRITTEN CONSENT OF COMPAL ELECTRONICS, INC.				Customer Document Number 401551
Date: Monday, July 21, 2008				Rev 1
Sheet 44 of 50				



Security Classification	Compal Secret Data		Title	
Issued Date	2007/09/20	Deciphered Date	2008/09/20	SCHMATIC,LA-4201P
THIS SHEET OF ENGINEERING DRAWING IS THE PROPRIETARY PROPERTY OF COMPAL ELECTRONICS, INC. AND CONTAINS CONFIDENTIAL AND TRADE SECRET INFORMATION. THIS SHEET MAY NOT BE TRANSFERRED FROM THE CUSTODY OF THE COMPETENT DIVISION OF R&D DEPARTMENT EXCEPT AS AUTHORIZED BY COMPAL ELECTRONICS, INC. NEITHER THIS SHEET NOR THE INFORMATION IT CONTAINS MAY BE USED BY OR DISCLOSED TO ANY THIRD PARTY WITHOUT PRIOR WRITTEN CONSENT OF COMPAL ELECTRONICS, INC.				Document Number 401551 Date: Monday, July 21, 2008
				Rev 1 Sheet 45 of 50



Security Classification	Compal Secret Data		Compal Electronics, Inc.	
Issued Date	2007/09/20	Deciphered Date	2008/09/20	Title
THIS SHEET OF ENGINEERING DRAWING IS THE PROPRIETARY PROPERTY OF COMPAL ELECTRONICS, INC. AND CONTAINS CONFIDENTIAL AND TRADE SECRET INFORMATION. THIS SHEET MAY NOT BE TRANSFERRED FROM THE CUSTODY OF THE COMPETENT DIVISION OF R&D DEPARTMENT EXCEPT AS AUTHORIZED BY COMPAL ELECTRONICS, INC. NEITHER THIS SHEET NOR THE INFORMATION IT CONTAINS MAY BE USED BY OR DISCLOSED TO ANY THIRD PARTY WITHOUT PRIOR WRITTEN CONSENT OF COMPAL ELECTRONICS, INC.				Document Number 401551
Date: Monday, July 21, 2008				Rev 1
Sheet 46 of 50				

Item	Fixed Issue	Reason for change	Rev.	PG#	Modify List	Date	Phase
1	ISL6237 can't shutdown while battery only.	ISL6237 can't shutdown while battery only.	0.1	41	Add PQ35 SB906100210 TP0610K.	20071031	EVT
2	Delete PD1	Because we can cost down and B+ has another one.	0.2	39	Delete PD1 SCSB540C080 (S SCH DIO B540C-13-F SMC)	20071115	DVT
3	3/5V exit on battery mode shutdown.	To prevent 3/5V exit on battery mode shutdown.	0.3	41	Add SC100001K00 (S DIO 1SS355 SOD323 T/R-5K	20071211	DVT
4	PD11 has over temp. issue.	Because PD11 has over temperature issue in JAQ60, we change it to a 10A diode.	0.3	39	Change PD11 from SCSB540C080 to SCS00002F00 .	20071211	DVT
5	Add snubber in 3/5V by EMI request.	Add snubber in 3/5V by EMI request.	0.3	41	Add PR36 and PR39 to SD001470B80	20071211	DVT
6	Down size.	Down size. by sourcer request.	0.3	46	Change PC136 from SE025821K80 to SE000003W00	20071211	DVT
7	Down size.	Down size. by sourcer request.	0.3	46	Change PC120 and PC129 from SE024681J80 to SE074681K80	20071211	DVT
8	Down size.	Down size. by sourcer request.	0.3	43	Change PC72 and PC74 from SE068102J80 to SE074102K80	20071211	DVT
9	2nd source trial run TI controller.	2nd source trial run TI controller.	0.3	41	Add PC143 SE080105K80	20071211	DVT
10	Add snubber in 3/5V by EMI request.	Add snubber in 3/5V by EMI request.	0.3	41	Add PC33 and PC34 SE074681K80	20071211	DVT
11	To meet Jeta SPEC.	To meet Jeta SPEC.	0.3	42	Add PC144 SE074102K80	20071211	DVT
12	Increase +5VALWP	HW requirement.	0.4	41	Change PR41 from SD034619280(S RES 1/16W 61.9K 0402 1%) to SD03463K280(S RES 1/16W 63.4K 0402 1%)	20080123	PVT
13	Increase +5VALWP	HW requirement.	0.4	43	change PR94 from SD034604280(S RES 1/16W 60.4K 0402 1%) to SD034576280(S RES 1/16W 57.6K 0402 1%)	20080123	PVT
14	Increase +5VALWP	HW requirement.	0.4	44	Change PR16 from SD034100280(S RES 1/16W 10K 0402 1%) to SD034105280(S RES 1/16W 10.5K 0402 1%)	20080123	PVT
15	Add EMI solution.	For EMI requirement.	0.4	41,42,43,46	Change PR37, PR40, PR61, PR106, PR109, PR138, PR152 from SD013000080(S RES 1/10W 0 +5% 0603) to SD013220B80 (S RES 1/10W 2.2 +5% 0603)	20080123	PVT
16	Add EMI solution.	For EMI requirement.	0.4	43	Add PR64, PR104 and PR108 SD001470B80(S RES 1/4W 4.7 +5% 1206)	20080123	PVT
17	Add EMI solution.	For EMI requirement.	0.4	43	Add PC55, PC83 and PC89 SE074681K80(S CER CAP 680P 50V K X7R 0402)	20080123	PVT
18	Add EMI solution.	For EMI requirement.	0.4	41	Add PC145, PC146, PC147, PC148 SE074471K80 (S CER CAP 470P 50V K X7R 0402)	20080123	PVT
19	Add EMI solution.	For EMI requirement.	0.4	41	Add PLI2, PLI3 SM010016410 (S SUPPRE_KC FBMA-L11-322513-151LMA50T)	20080123	PVT
20	AO4916 will be EOL.	AO4916 will be EOL.	0.5	44	Change PQ26 from SB000002W80 S TR AO4916 2N S08 to SB0000BG00 S TR AO4932_S08	20080201	PVT
21	Thermal shutdown issue.	Change OTP setting from 92C to 96C.	0.6	40	Change PR19 and PR22 to SD034133280(S RES 13.3K 0402 1%)	20080214	PVT
22	EMI request.	EMI request.	0.6	46	Add PC149,PC150,PC151 SE074471K80(S CER CAP 470P X7R 0402)	20080214	PVT
23							

Security Classification		Compal Secret Data		Compal Electronics, Inc.	
Issued Date	2007/09/20	Deciphered Date	2008/09/20	Title	SCHMATIC,LA-4201P
THIS SHEET OF ENGINEERING DRAWING IS THE PROPRIETARY PROPERTY OF COMPAL ELECTRONICS, INC. AND CONTAINS CONFIDENTIAL AND TRADE SECRET INFORMATION. THIS SHEET MAY NOT BE TRANSFERRED FROM THE CUSTODY OF THE COMPETENT DIVISION OF CUSTOMER DEPARTMENT EXCEPT AS AUTHORIZED BY COMPAL ELECTRONICS, INC. NEITHER THIS SHEET NOR THE INFORMATION IT CONTAINS MAY BE USED BY OR DISCLOSED TO ANY THIRD PARTY WITHOUT PRIOR WRITTEN CONSENT OF COMPAL ELECTRONICS, INC.					
Document Number	401551	Rev	1	Date	Monday, July 21, 2008
				Sheet	47 of 50

A --> B Change List

12/13-----
 Page 12, Mount R83, C179, C188
 Change R91 BOM structure to @
 Page 19, Mount D21, D22, D23
 Page 20, Change U40, U41 BOM structure to @
 12/12-----
 Page 19, Change C430, C422, C406 with BOM structure GM@
 Page 20, Add R548, R549 2.2K_0402 with BOM structure @
 Change R542, R543 BOM structure to PM@
 Change Q3, Q5, Q46, Q47 to BSH111
 Page 28, Change T1 to SP050003T10
 Page 34, Change C603, C604 location and BOM structure to JAL90@
 Page 35, Change R449 to 43K_0402_1%
 Page 27, Add R550 with BOM structure @
 Page 49, Add option component for C430, C422, C402, C429, C421, C405
 Del C419, C428, C432, C513, C214 (Option Component)
 12/10-----
 Page 19, Add R544, R545 0_0402 with BOM structure JAL90@
 Page 20, Add U40, U41 SN74CBTD3306CPWR_TSSOP8 with BOM structure JAL90@
 Page 35, Change R486, R477, R485, R476 to 56.2_0603 1%
 Page 38, Add R546, R547 10_0402_5% with BOM structure @
 Update MCH and ICH part number.
 U31 --> SA00001ZO30 (PM)
 SA00001P930 (GM)
 U9 --> SA00002AN10 (ICH9)
 12/07-----
 Page 12, Add C606, 220U_D2_4VM_R15 with BOM Structure GM@
 Change C435 to 220uF_D2 with BOM Structure @
 Page 17, Update JMXM1 PCBfoot to QUASA_CA0481-230N00_230P-T
 Page 20, Add R542, R543 4.7K_0402 with BOM Structure JAL90@
 Update Power Schematics
 12/06-----
 Page 4, Add R541 10K_0402 with BOM Structure @
 Page 17, Add R534 0_0402 with BOM Structure PM@
 Change D30, R516 BOM Structure to @
 Page 31, Add R540 100K_0402 with BOM structure JAW50@
 Change R186 BOM Structure JAL90@
 Page 38, Add R533 10K_0402 with BOM Structure JAL90@
 Add C605 0.1U_0402 with BOM Structure @
 Change Q35 to 2N7002DW-T/R7_SOT363-6
 12/05-----
 Page 16, Update U15 to ICS9LPRS387BKLFT (SA000020H10)
 Page 31, Delete R534
 Page 34, Delete R533
 Page 38, Update JDOCK1 CIS Symbol to JAE_SP07-10207-19_68P-T
 12/04-----
 Page 16, 17, 19 Delete Q23, Q37, Q38 2N7002DW-T/R7_SOT363-6
 Add Q48, Q49, Q50, Q51, Q52, Q53 2N7002_SOT23
 Page 22, Add 10K_0402 with BOM Structure JAW50@
 Change R61 BOM Structure to JAL90@
 Page 31, Change R215 to 8.2K_0402
 Page 34, Add C603, C604 220P_0402_50V8J with BOM structure @
 11/30-----
 Page 18, C368 change to 680P_0402_50V7K
 Page 20, D20 Change to CH751H-40PT_SOD323-2
 Delete Q4
 Add Q46, Q47 2N7002_SOT23 with BOM Structure JAL90@
 Page 26, Delete R532, Q46
 Add R538, R539 0_0402 with BOM Structure @
 Change D31 with BOM Structure @
 Change U34 PN to SA00001W910
 Page 31 Change EC_SMB_CK2/DA2 Pull High to +3VS
 Page 32, Add SW4 with BOM Structure JAW50@
 Change SW1 BOM Structure to JAL90@
 Change JP2 Pin3/Pin4 to EC_SMB_CK2/DA2

11/28-----
 Page 12, Add R536, R537 0_0402 with BOM Structure PM@
 Page 30, Change U14 to G577NSR91U
 Page 34, Change R438, R439, R441, R442 to 0_0603 (BOM Error)
 Page 35, Change R473, R467 to 2.2K_0402_5%
 Change R9, R11, R26, R28 to 0_0603 (BOM Error)
 11/27-----
 Page 19, Change D5 to RB491D_SC59-3 accordig to Module design
 Page 25, Update JSATA2(HDD) PCB footprint to OCTEK_SAT-22SU1G_22P_NR-T
 Page 33, C313 change to 1U_0402_6.3V6K
 Page 37, Mount R189, Q17 for +1.8V discharge circuit.
 11/22-----
 Page 26, Add R535 22_0402
 Page 31, Add R534 0_0402 for +RTCVCC
 11/19-----
 Rev A
 Page 8, R482, R480 Pull down (CLK_DREF_96M#/CLK_DREF_SSC#)
 Page 12, L32, L10, C505, C513, C263, C214 BOM Structure change to GM@
 Add C513, C214 0_0402 (PM@) for Option Component (Page 49)
 Page 23, Unmount R341
 Mount R342
 Page 28, Update R521, R523, R524, R525, R526, R527, R528, R529, R530 function field.
 Page 29, SWAP function of JMINI1 and JMINI2 (JMINI1 for Robson2, JMINI2 for WLAN)
 Delete C355 0.1U_0402
 Add R531 0_0402
 Page 34, Add R533 0_0402 for ALC888VB DMIC_CLK
 11/14-----
 Rev B
 Page 7, 8, 9, 10, 11, 12, 13 change U31 BOM Structure from GM@ to JAL90GM@
 Page 8, R102 BOM Structure change from GM@ to JAL90GM@
 Page 10, C210, C218, C222, C228, C208, C215, C220, C223 add BOM Structure PM@
 Page 49, Add C210, C218, C222, C228, C208, C215, C220, C223 option component BOM Structure JAL90GM@
 Add U31 Cantiga-GL, LED1 with BOM Structure JAW50@
 Page 12, R396, C498 BOM Structure change from GM@ to JAL90GM@
 R395 BOM Structure change from PM@ to GLPM@.
 Page 17, R331, R333 BOM Structure change from GM@ to JAL90GM@
 Page 19, R322, R327, R329 BOM Structure change from GM@ to JAL90GM@
 U28 add BOM Structure JAL90@
 Add R518, R519, R520 0_0402_5% for JAW50 CRT signal
 Page 20, R51, R52, Q4, R344, R336, C439, C440, R332, U30, R67, R72, Q3, Q5, D6, F2, C443,
 R351, R354, R358, R364, R365, R367, R372, R373, D19, C427, C431, U27,
 D20, R305, R306, 307, R308, R309, R310 add BOM Structure JAL90@
 Page 22, R408, R409, R410, R411 change BOM Structure from GM@ to JAL90GM@
 Page 23, R38, R53, R40, R54, R55, R34, U5 change BOM Structure from GM@ to JAL90GM@
 Page 24, R160, R162 BOM Structure change from PM@ to GLPM@
 R159, R161 BOM Structure change from GM@ to GLPM@
 Page 28, Add R521, R522, R523, R524, R525, R526, R527, R528, R529, R530 0_0402_5% for JAW50
 U1 add BOM Structure JAL90@
 Page 29, C343, C352, C342, C344, C312, C355 add BOM Structure JAL90@
 Page 32, Q15, LED1 add BOM Structure JAL90@
 Page 33, R512, C592, IR1, C593 add BOM Structure JAL90@
 R252 change BOM Structure from PM@ to GLPM@
 R250 change BOM Structure from GM@ to JAL90GM@
 Page 34, C583, C582, R445, C535, R442, R439 change BOM Structure from @ to 268@
 R490, R506 change BOM Structure from 268@ to @
 R441, R438 add BOM Structure 888VC@
 Page 35, R485, R476, R457, R460, R440, R444, R434, U39, R263, R255, R257, R261, C356, C353,
 C354, U21, R265, C358, U22, C357, Q43 add BOM Structure JAL90@
 Page 37, C272, C266, U11, C274, C273, R192, Q14, C278, R191 add BOM Structure PM@
 Page 38, R282, R284, Q35, R273 add BOM Structure JAL90@
 Rev A
 Page 37, Change R262 from 100K_0402 to 10K_0402 for Power Require(for 2.5V LDO).

Security Classification		Compal Secret Data		Compal Electronics, Inc.	
Issued Date	2007/09/20	Deciphered Date	2008/09/20	Title	SCHEMATIC,LA-4201P
THIS SHEET OF ENGINEERING DRAWING IS THE PROPRIETARY PROPERTY OF COMPAL ELECTRONICS, INC. AND CONTAINS CONFIDENTIAL AND TRADE SECRET INFORMATION. THIS SHEET MAY NOT BE TRANSFERRED FROM THE CUSTODY OF THE COMPETENT DIVISION OF RESEARCH AND DEVELOPMENT EXCEPT AS AUTHORIZED BY COMPAL ELECTRONICS, INC. NEITHER THIS SHEET NOR THE INFORMATION IT CONTAINS MAY BE USED BY OR DISCLOSED TO ANY THIRD PARTY WITHOUT PRIOR WRITTEN CONSENT OF COMPAL ELECTRONICS, INC.					
Document Number	401551	Rev	1	Date	Monday, July 21, 2008
Sheet	48	of	50		

B --> C Change List

0220-----
Page 6, Change C98 BOM structure to @

0218-----
Page 20, Add R569 with BOM structure @
Page 23, R34, R38, R40, R53, R54, R55 change BOM structure to @
Page 31, Change R215 to 18K
Update Power Schematics

0213-----
Page 11, Delete R113
Add J1 JUMP_43X79 with BOM structure @
Page 31, R558, R559 0 ohm with BOM structure @
R560, R561 4.7K with BOM structure @
Page 32, R562, R563 0 ohm with BOM Structure @
R564, R565 0 ohm
Page 38, Delete C619
Add R566, R567, R568 0_0603 with BOM Structure JAL90@

0204-----
Page 12, Change L31 to MBK1608301YZF_0603 with BOM structure GM@
Change R163 to 0_0805_5%
Page 23, Change BOM Structure of U5 to @
Page 27, Change BOM Structure of R555 and R550 to @
Page 33, Change R217 to 31.6K_0402_1%
Change C313 to 1U_0603_10V6K
Page 34, Change R503 to FBMA-L10-160808-301LMT_0603

01/31-----
Page 23, Delete U10

01/29-----
Page 23, Change R152 BOM Structure to @

01/24-----
Page 4, Change U8 to SA00001Z700 (EMC1402)
Page 33, Change C338 to SE076104K80
Page 35, Mount C584

01/23-----
Page 38 Delete F3, R558-560, C609-614

01/22-----
Page 11, Delete R79
Change J1 Symbol to JUMP_43X79
Page 33, Add R557 10K (Check)
Change R245 BOM Structure with @
Page 38, Add C609-614, R558-560 (Check)
C607,608, 615-619 (Check)

01/17-----
Page 11, Add R79 0_0805
Update Power Schematics

01/16-----
Page 11, Delete R79 0_0805
Add J1 JUMP_43X79
Page 16, Change C296, R301 to 27P_0402
Page 19, Change L17, L19, L21 BOM structure to GM@
Page 23, Mount U29, R339
Add U10 with BOM structure @ (Co-lay with U5)
Change R340 Bom structure to @
Change U5 to MX25L4005AMC-12G_SO8 (SA00002A900)
Page 27, Change U26, C420 BOM structure to @
Change R550 to 0_0402
Add R555 0_0402
Page 32, Change R269 to 240_0402_5%, R267 to 453_0402_1%
Change R268 pin1 connect to +5VALW
Page 33, Change R217 to 18K_0402_1% with BOM structure PM@
Page 35, Add R551,R552, R553, R554 75_0603_1% with BOM structure JAL90@
Add D32 PJDLCO5_SOT23-3
Page 38, Add F3 3A_15VDC_SMD2920P300TF/15
Page 49, Add R551,R552, R553, R554 1K_0603_1% with BOM structure 268@
Add L17, L19, L21 0_0805 with BOM structure PM@
Update U38 (ALC268-VB1-GR) PN:SA00001GD10 for JAW50

C --> C2 Change List

0319-----
Page 20, Add R574 0 ohm with BOM Structure JAL90@
Page 32, Add R570 0 ohm with BOM Structure JAL9050@
Add R571 0 ohm with BOM Structure KAL20@
Add Q37 AO3413 with BOM Structure KAL20@
Add R575, R576 10K with BOM Structure KAL20@
Add Q54 2N7002DW with BOM Structure KAL20@
Update Power Schematics
Update U31 PN to SA00002JT50(GM)/SA00002JJ50(PM)

C2 --> PreMP Change List

0704-----
Page 20, Change R51, R52, R67, R72, R542, R543, R574 BOM structure to JAL90PM@
Page 37, Change U11 BOM structure to JAL90PM@
Page 50, Add U11 SI4800BDY-T1-E3_SO8 with the BOM structure JAW50PM@
Change U31 BOM Structure to JAW50GL@

0624-----
Page 37, Change U12, U20, U23, U32 to SI4800BDY

0610-----
Page 23, Change R388 BOM structure to EM@

0528-----
Add ABO@ for Bluetooth/NewCard/CardReader option
R222, C316, C317, C332, Q24, C308, C325, R235, Q26
U14, U16, Q25, C310, C298, C283, C307, C292, C294, C304, C303, C281, C282, R220, C487, C480
C524, C525, C526, C527, C529, C530, C532, C533, C534, C543, C544, C545, C546, C544, C545
C547, C548, C549, D26, R427, R428, R429, R430, R435, R436, R443, R452, R453, R535, U34
Page 23, Change R417 BOM structure to EM@
Change R416 BOM Structure to ABO@
Page 31, Change R215 BOM structure to ABO@
Page 32, Change R570 BOM structure to JAL90@
Page 50, Add R215 with BOM structure EM@

0523-----
Page 4, Mount R541
Page 32, Change R266, R268 Bom Structure to JAL90@
Page 50, Add R266 2.49K_0402_1% with BOM Structure JAW50@
Add R268 1.69K_0402_1% with BOM Structure JAW50@
Change JAW50 U31 PN to SA00002Q830
0514----- (For JAW50 Analog MIC, EMI Requirement)
Page 34 change R439, R442 to FBMA-L11-160808-700LMT(SM010004010) with BOM structure 268@
0513----- (For Acer Lab P193WAX DVI Detect)
Page 20, Change R51, R52, R67 and R72 BOM structure to PM@
Page 50, Add R51, R52, R67 and R72 4.7K_0402 with BOM Structure JAL90GM@
0429----- (For PC Beep sound, volume down)
Page 34, Change R496 to 1.3K

0422-----
Update U9 PN to SA00002JH70
Update U31 PN to SA00002JJA0/SA00002JTB0

0410-----
Page 30, Add R577 0_0603 with BOM structure @
Add R578 0_0603

0407-----
Page 20, change R574 BOM structure to PM@
Page 31, change R550, R555, R561 BOM structure to JAL90GM@
Change R215 to 33K
Page 32, change R266,R268 to 4.99K 1%
change R267 to 2.49K 1%
change R269 to 1.69K 1%
Page 50, change JAL90 PCB P/N to DAZ04700100

Security Classification		Compal Secret Data		Compal Electronics, Inc.	
Issued Date	2007/09/20	Deciphered Date	2008/09/20	Title	SCHEMATIC,LA-4201P
THIS SHEET OF ENGINEERING DRAWING IS THE PROPRIETARY PROPERTY OF COMPAL ELECTRONICS, INC. AND CONTAINS CONFIDENTIAL AND TRADE SECRET INFORMATION. THIS SHEET MAY NOT BE TRANSFERRED FROM THE CUSTODY OF THE COMPETENT DIVISION OF R&D DEPARTMENT EXCEPT AS AUTHORIZED BY COMPAL ELECTRONICS, INC. NEITHER THIS SHEET NOR THE INFORMATION IT CONTAINS MAY BE USED BY OR DISCLOSED TO ANY THIRD PARTY WITHOUT PRIOR WRITTEN CONSENT OF COMPAL ELECTRONICS, INC.					
Size	Document Number	Customer	Rev		
	401551		1		
Date:	Monday, July 21, 2008	Sheet	49	of	50

PCB

ZZZ
 LA4201MB Rev0: DA600007400
 LA4201MB Rev1: DA600007410
 LA4201MB with Small Board Rev1: DAZ04700100
 PCB JAL90 LA-4201P LS-4201P/4202P/4204P/4205P/4207P/4208P

IC

U31
 PM@
 CANTIGA ES_FCBGA1329
 CANTIGA PM: SA00002JJA0

U31
 JAW50GL@
 CANTIGA ES_FCBGA1329
 CANTIGA GL: SA00002Q830

U25
 8102E@
 RTL8102E-GR_QFN64P_9X9
 RTL8102E-GR: SA00001YY00

U38
 888VB@
 ALC888S-VB_LQFP48_7x7
 ALC888S-VB: SA000026V10

U38
 268@
 ALC268-GR_LQFP48_9X9
 ALC268-VB1-GR : SA00001GD10

JAW50 Discrete

U11
 JAW50PM@
 SI4800BDY-T1-E3_S08
 SI4800BDY-T1-E3_S08 : SB548000310

CRT

C429 C421 C405

 PM@ 2/1 PM@ 2/1 PM@ 2/1
 15P_0402_50V8J 15P_0402_50V8J
 C406 C430 C422

 PM@ 2/1 PM@ 2/1 PM@ 2/1
 12P_0402_50V8J 12P_0402_50V8J 12P_0402_50V8J
 15P_0402_50V8J: SE071150J80
 12P_0402_50V8J: SE071120J80
 L17 PM@ 2/1 0_0805_5%
 L19 PM@ 2/1 0_0805_5%
 L21 PM@ 2/1 0_0805_5%
 0_0805_5%: SD002000080

AUDIO

R551 JAW50@ 1K_0603_1%
 R552 JAW50@ 1K_0603_1%
 R553 JAW50@ 1K_0603_1%
 R554 JAW50@ 1K_0603_1%
 1K_0603_1%: SD014100180

HDMI/DVI DDC Pull-High

R51 JAL90GM@ 4.7K_0402_5%
 R52 JAL90GM@ 4.7K_0402_5%
 R67 JAL90GM@ 4.7K_0402_5%
 R72 JAL90GM@ 4.7K_0402_5%
 4.7K_0603_5%: SD028470180

KAW00

R215 EM@ 0_0402_5%
 0_0402_5%: SD028000080

MCH

R93 PM@ 0_0402_5%
 R104 PM@ 0_0402_5%
 R105 PM@ 0_0402_5%
 R114 PM@ 0_0402_5%
 R115 PM@ 0_0402_5%
 R116 PM@ 0_0402_5%
 R119 PM@ 0_0402_5%
 0_0402_5%: SD028000080

GM45-HDMI

C210 C218

 JAL90GM@ 0.1U_0402_16V7K JAL90GM@ 0.1U_0402_16V7K
 C222 C228

 JAL90GM@ 0.1U_0402_16V7K JAL90GM@ 0.1U_0402_16V7K
 C208 C215

 JAL90GM@ 0.1U_0402_16V7K JAL90GM@ 0.1U_0402_16V7K
 C220 C223

 JAL90GM@ 0.1U_0402_16V7K JAL90GM@ 0.1U_0402_16V7K
 0.1U_0402_16V7K: SE076104K80

JAW50 LED

LED1
 JAW50@
 HT-297DQ/GQ_AMB/YG_0603
 R268 JAW50@ 1.69K_0402_1%
 1.69K_0402_1%: SD00000JB80
 R266 JAW50@ 2.49K_0402_1%
 2.49K_0402_1%: SD034249180

Security Classification	Compal Secret Data			Compal Electronics, Inc.	
Issued Date	2007/09/20	Deciphered Date	2008/09/20	Title	
THIS SHEET OF ENGINEERING DRAWING IS THE PROPRIETARY PROPERTY OF COMPAL ELECTRONICS, INC. AND CONTAINS CONFIDENTIAL AND TRADE SECRET INFORMATION. THIS SHEET MAY NOT BE TRANSFERRED FROM THE CUSTODY OF THE COMPETENT DIVISION OF R&D DEPARTMENT EXCEPT AS AUTHORIZED BY COMPAL ELECTRONICS, INC. NEITHER THIS SHEET NOR THE INFORMATION IT CONTAINS MAY BE USED BY OR DISCLOSED TO ANY THIRD PARTY WITHOUT PRIOR WRITTEN CONSENT OF COMPAL ELECTRONICS, INC.				Document Number	Rev
				401551	1
				Date: Monday, July 21, 2008	Sheet 50 of 50

www.s-manuals.com