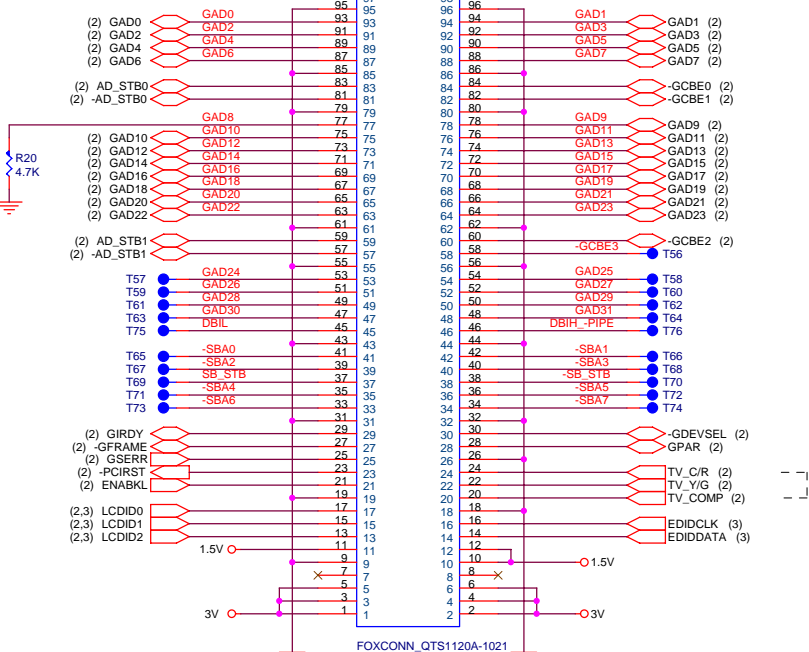
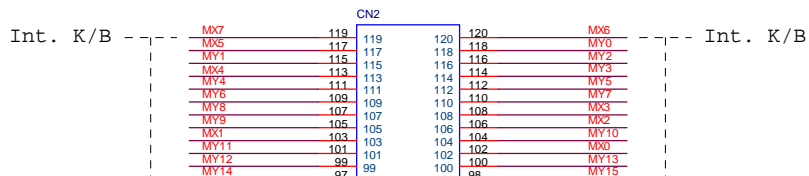


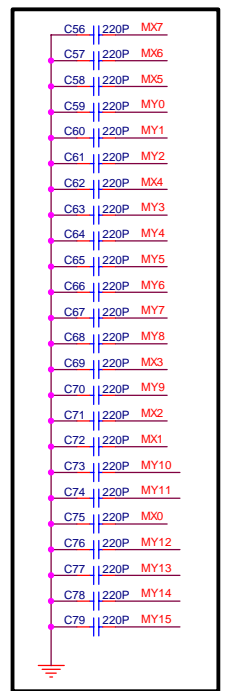
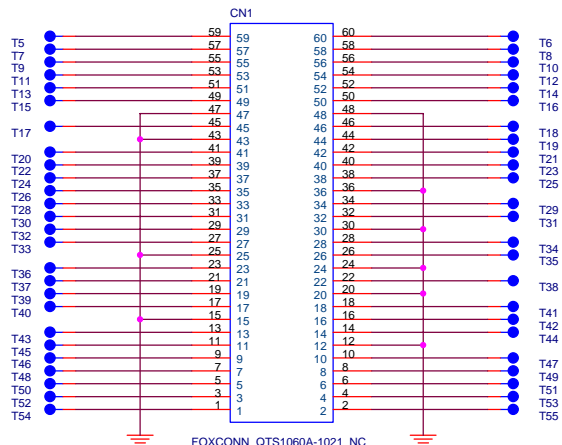
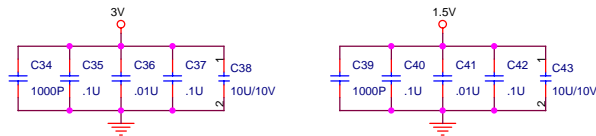
MODEL	REV	CHANGE LIST	Model	ZP1 TV-OUT BOARD	
			Page	FM	TO
ZP1 TV-OUT BOARD	1A	First Release	1	3A	
	2A	Reference ECN E200305-1522	2	3A	3B
	2B	Reference ECN E200306-1596, change PCB version	3	3A	
	3A	Reference ECN E200307-0524, change PCB version			
	3B	Reference ECN E200308-0364			



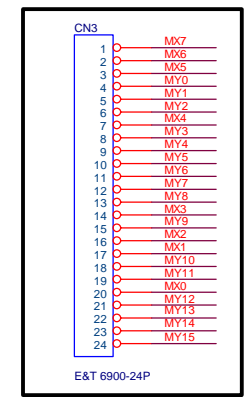
PROJECT : ZP1	PCBA NO.34ZP1TB0002	REV:3B	DOC. NO: 204		
APPROVED BY : Jason Liu	CHECK BY: Jason Liu	DRAWING BY: Roger Lee	DATE :08/06/2003	SHEET 1	



AGP 4X/8X I/F



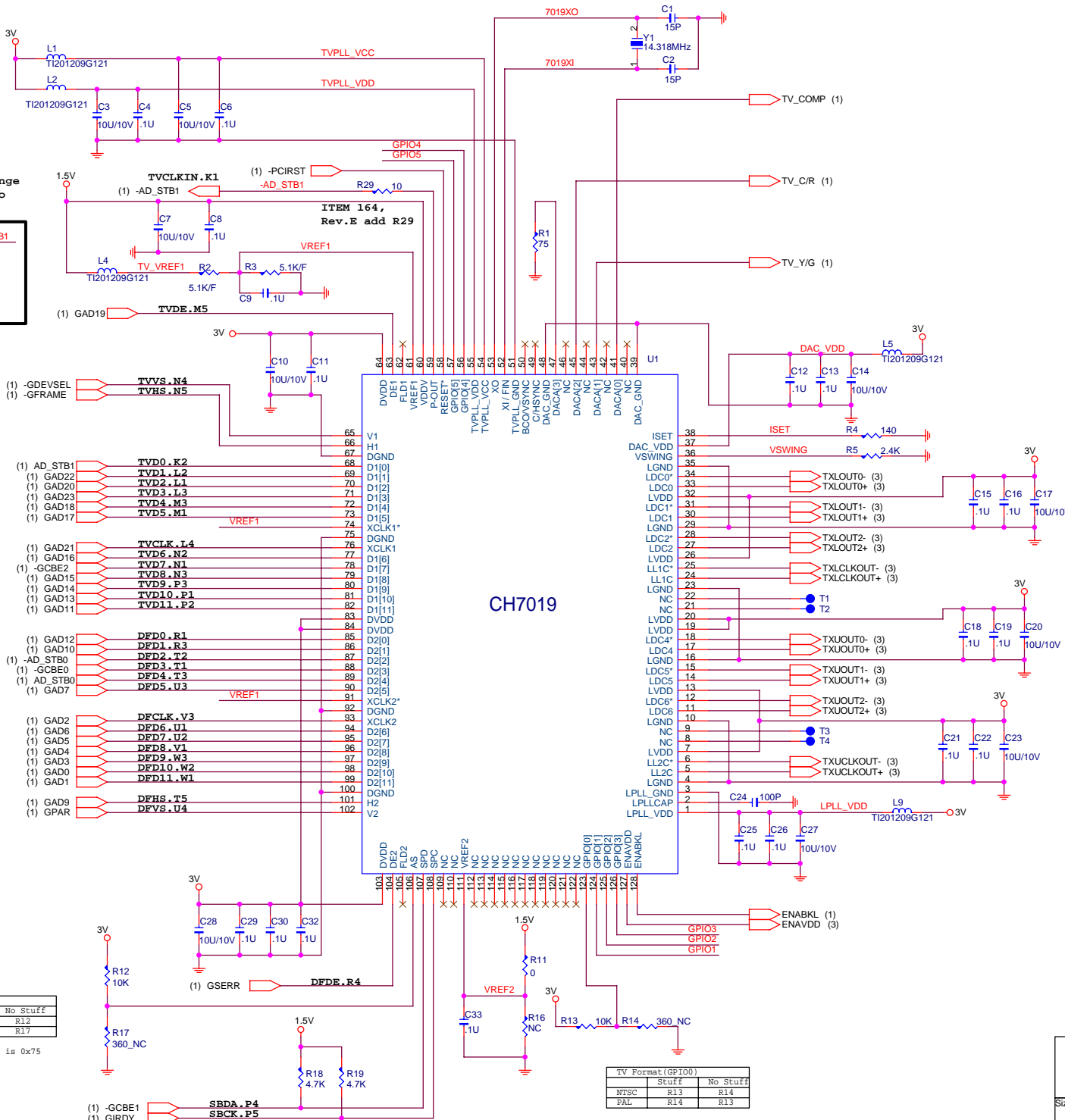
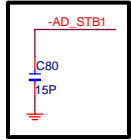
KEYBOARD CONNECTOR



ITEM39, Rev.B change pin define

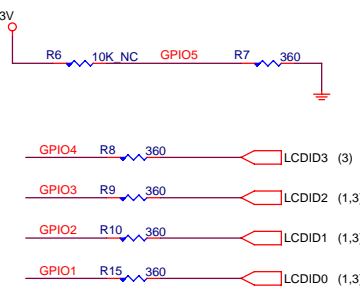
ITEM 60, Rev.B add for EMI

ITEM 164,
Rev.E change
from NC to
stuff



CH7019


GPIO1-5 be reserved for Panel ID.



CH7019 Address		
Stuff	NC	No Stuff
0x76	R17	R12
0x75	R12	R17

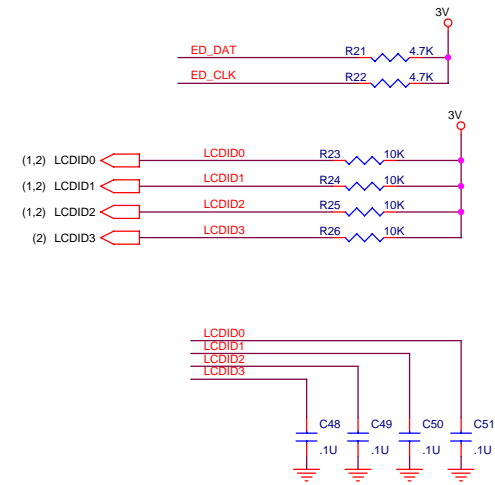
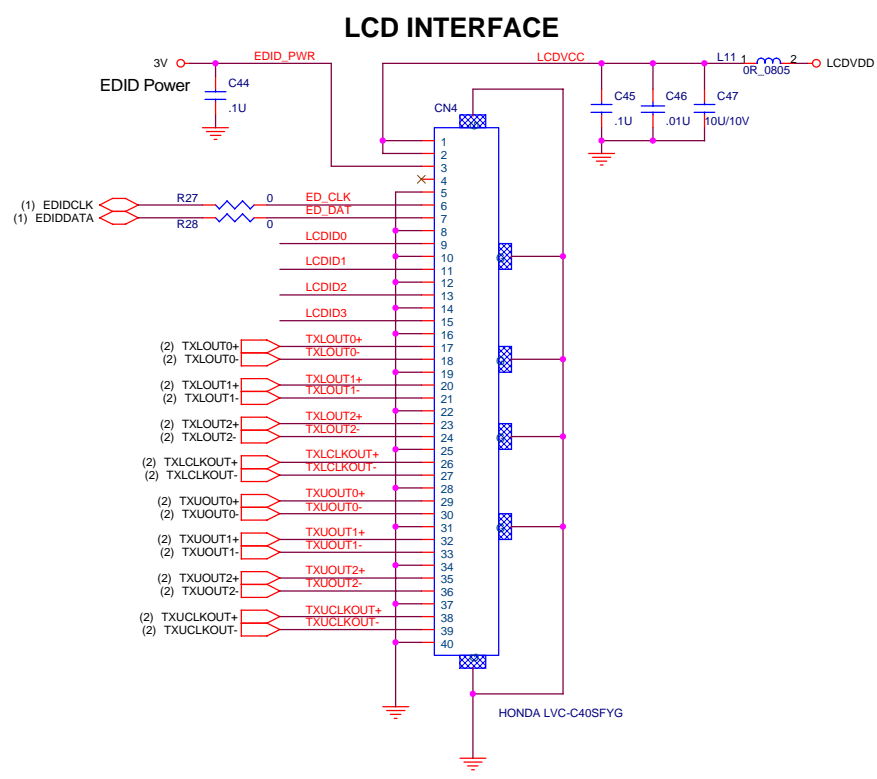
Default address is 0x75

TV Format(GPIO0)		
Stuff	NC	No Stuff
NTSC	R13	R14
PAL	R14	R13

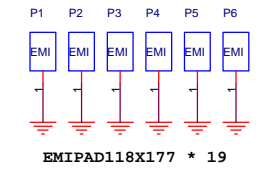
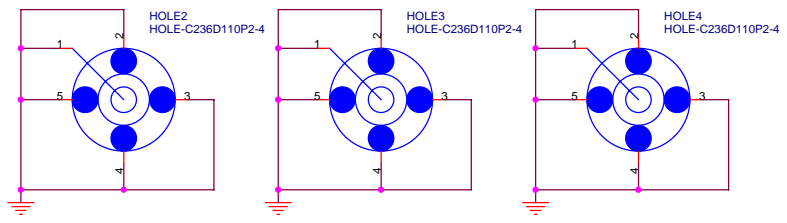
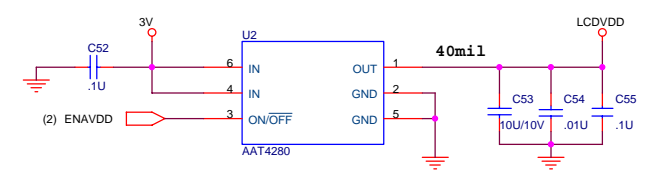


PROJECT : ZP1
Quanta Computer Inc.

Size	Document Number	Rev
Custom	TV & LVDS CH7019	3B
Date:	Tuesday, September 02, 2003	Sheet 2 of 3



PANEL VCC CONTROL



		PROJECT : ZP1	
Quanta Computer Inc.			
Size Custom	Document Number LVDS CONNECTOR	Rev 3A	
Date: Tuesday, September 02, 2003		Sheet	3 of 3

www.s-manuals.com